

NOTE:

1. MATERIAL AND FINISH

1.1. SHELL ASSEMBLY: COPPER ALLOY, OUTER SHELL AND COLLET NUT Cr PLATING, OTHER METALLIC COMPONENTS Ni PLATING

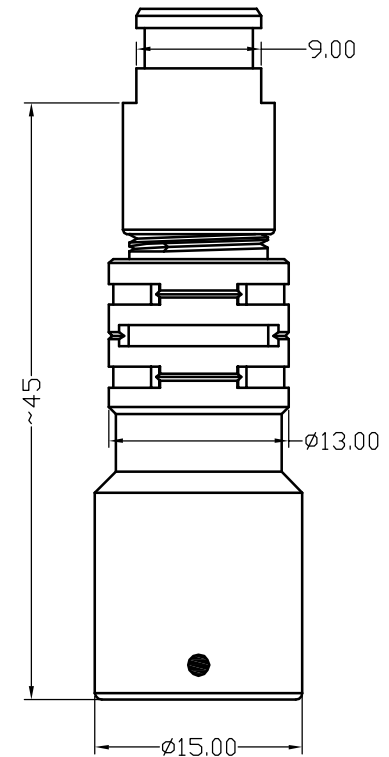
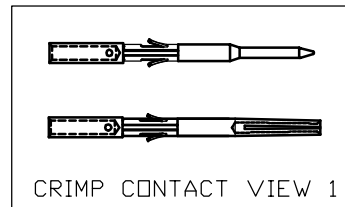
1.2. INSULATOR: PEEK

1.3. CONTACT: COPPER ALLOY, GOLD PLATING

2. RoHS COMPLIANCE

③ CRIMP CONTACT DETAILS SHOWN IN VIEW 1

4. PART NO.



R - F 1 K F * * 0 * C 1 * * *

CONTACT POS.
02-32=2pin-32pin

SHELL MATERIAL
0=Brass

CODE	CONTACT TYPE
2	Male Solder Contact
4	Female Solder Contact
③ C	Crimp Male Contact
③ M	Crimp Female Contact
1	Male Print Contact
3	Female Print Contact

COLLET NUT	
1=Nut for fitting a bend relief	

CABLE OD	
15=OD:1.3mm-1.5mm	55=OD:5.1mm-5.5mm
20=OD:1.6mm-2.0mm	60=OD:5.6mm-6.0mm
25=OD:2.1mm-2.5mm	65=OD:6.1mm-6.5mm
30=OD:2.6mm-3.0mm	70=OD:6.6mm-7.0mm
35=OD:3.1mm-3.5mm	75=OD:7.1mm-7.5mm
40=OD:3.6mm-4.0mm	80=OD:7.6mm-8.0mm
45=OD:4.1mm-4.5mm	85=OD:8.1mm-8.5mm
50=OD:4.6mm-5.0mm	

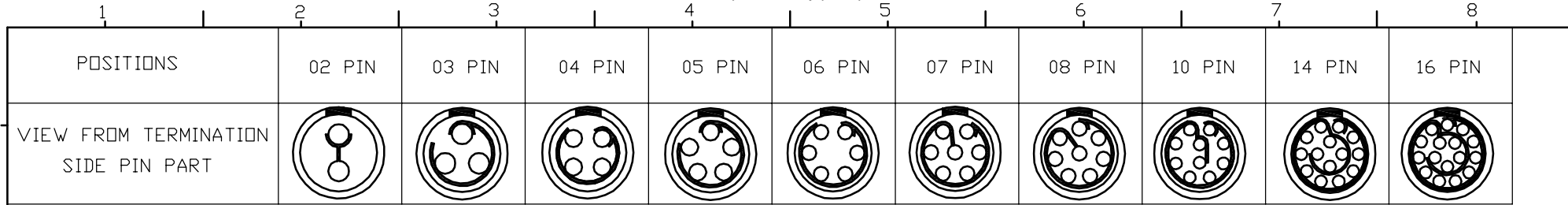
CODE	KEY ANGLES
0	0
A	30°
B	60°
..	..

UNITS		
■mm	□INCH	
GENERAL TOLERANCES: (UNLESS SPECIFIED)		
	mm	INCH
4 PLACE	± **	± .**
3 PLACE	± 0.10	± .**
2 PLACE	± 0.30	± .**
1 PLACE	± 0.50	± .**
ANGULAR:	X°± 2°	X°± **

NAME: SNAP LATCH METAL 1K FLOATING SOCKET
PART NO: R-F1KF**0*C1***
APPD: Seawen 4/8/14
CHKD: Annie 4/8/14
DRAWN: Alex 4/8/14

 NEXTRONICS ENGINEERING CORP.	
TITLE: CUSTOMER DWG.	
DWG NO: 010-0000-B36	C
SCALE: 2.5/1	SHEET: 1/3
REV.:	X1

X1	NEW RELEASE	4/8'14	Seawen
REV.	DESCRIPTION	DATE	APPD



NOTE:

1. MATERIAL AND FINISH

1.1. SHELL ASSEMBLY: COPPER ALLOY, OUTER SHELL AND COLLET NUT Cr PLATING, OTHER METALLIC COMPONENTS Ni PLATING

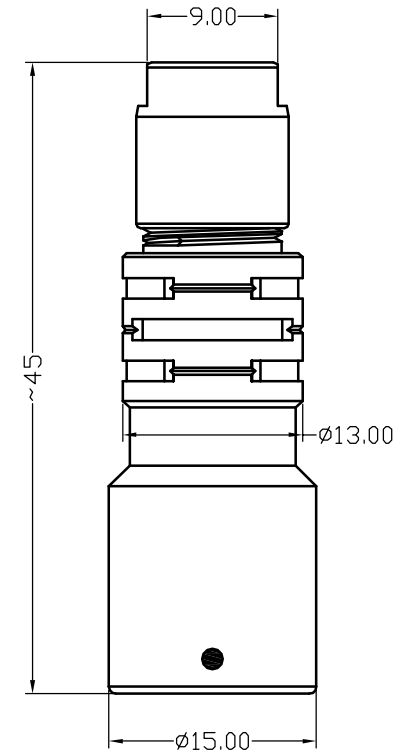
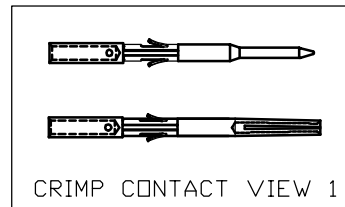
1.2. INSULATOR: PEEK

1.3. CONTACT: COPPER ALLOY, GOLD PLATING

2. RoHS COMPLIANCE

3. CRIMP CONTACT DETAILS SHOWN IN VIEW 1

4. PART NO.



R - F 1 K F * * 0 * C 2 * * *

CONTACT POS.	
02-32=2pin-32pin	

SHELL MATERIAL	
0=Brass	

CODE	CONTACT TYPE
2	Male Solder Contact
4	Female Solder Contact
3	Crimp Male Contact
3	Crimp Female Contact
1	Male Print Contact
3	Female Print Contact

COLLET NUT	
2=Nut for Standard	

CABLE OD	
15=OD:1.3mm-1.5mm	55=OD:5.1mm-5.5mm
20=OD:1.6mm-2.0mm	60=OD:5.6mm-6.0mm
25=OD:2.1mm-2.5mm	65=OD:6.1mm-6.5mm
30=OD:2.6mm-3.0mm	70=OD:6.6mm-7.0mm
35=OD:3.1mm-3.5mm	75=OD:7.1mm-7.5mm
40=OD:3.6mm-4.0mm	80=OD:7.6mm-8.0mm
45=OD:4.1mm-4.5mm	85=OD:8.1mm-8.5mm
50=OD:4.6mm-5.0mm	

CODE	KEY ANGLES
0	0
A	30°
B	60°
..	..

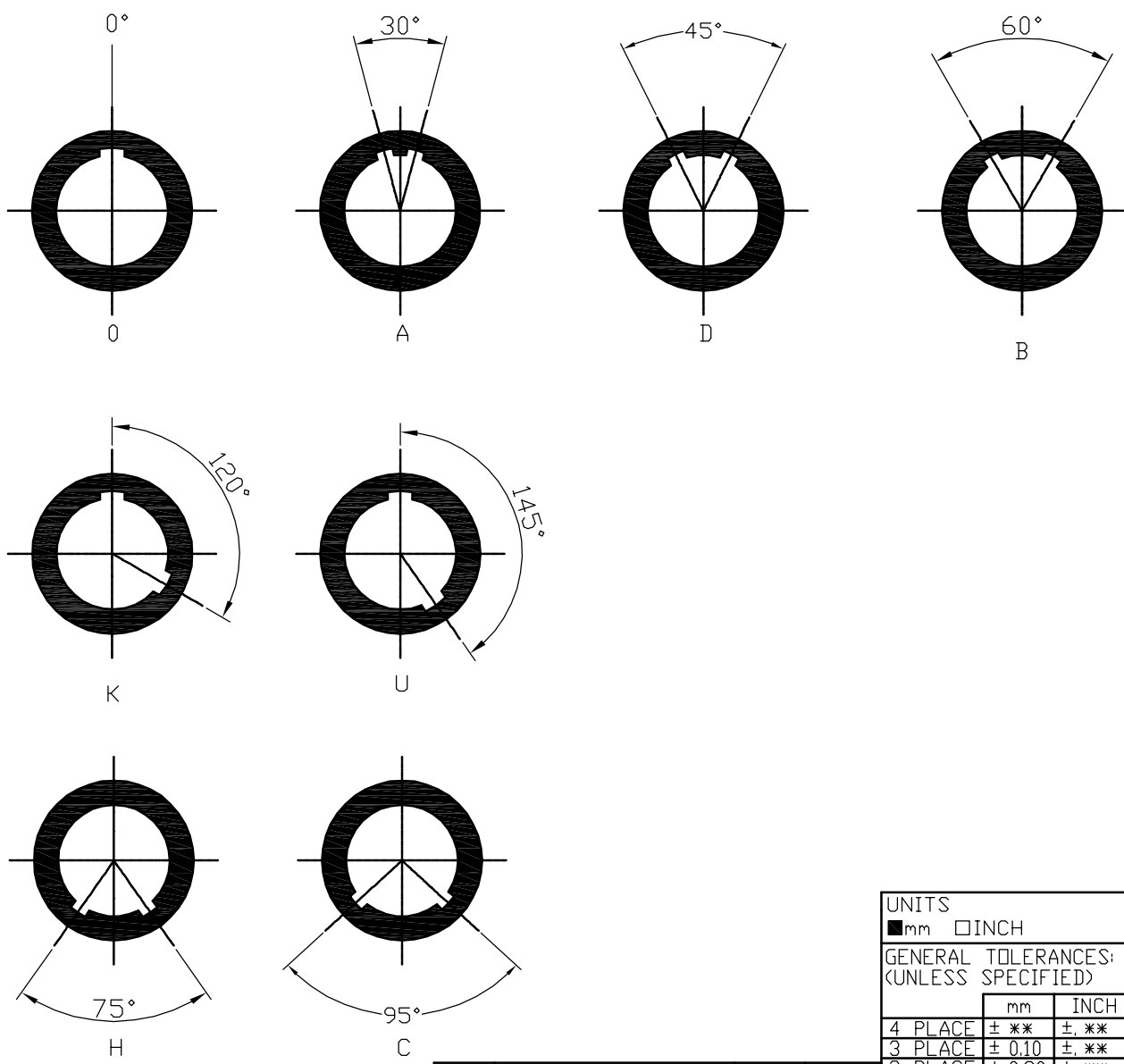
UNITS	
mm	INCH
GENERAL TOLERANCES: (UNLESS SPECIFIED)	
	mm INCH
4 PLACE	±.** ±.**
3 PLACE	± 0.10 ±.**
2 PLACE	± 0.30 ±.**
1 PLACE	± 0.50 ±.**
ANGULAR:	X°± 2° X°±**

NAME:	SNAP LATCH METAL 1K FLOATING SOCKET
PART NO:	R-F1KF**0*C2***
APPD:	Seawen 4/8/14
CHKD:	Annie 4/8/14
DRAWN:	Alex 4/8/14

 NEXTRONICS ENGINEERING CORP.	
TITLE: CUSTOMER DWG.	
DWG NO:	010-0000-B36
SCALE:	2.5/1
SHEET:	2/3
REV.:	X1

X1	NEW RELEASE	4/8'14	Seawen
REV.	DESCRIPTION	DATE	APPD

KEY ANGLES (RECEPTACLE FRONT VIEW):



UNITS ■mm □INCH		NAME: SNAP LATCH METAL 1K FLOATING SOCKET		NEXTRONICS ENGINEERING CORP.	
GENERAL TOLERANCES: (UNLESS SPECIFIED)		PART NO: R-F1KF**0*****		TITLE: CUSTOMER DWG.	
	mm	INCH	APPD: Seawen 4/8/14		DWG NO: 010-0000-B36
4 PLACE	± **.05	± **.002	CHKD: Annie 4/8/14		C
3 PLACE	± 0.10	± **.004	DRAWN: Alex 4/8/14		
2 PLACE	± 0.30	± **.015	SCALE: 2.5/1		SHEET: 3/3
1 PLACE	± 0.50	± **.030	ANGULAR: X°± 2°		REV.: X1
			ANGULAR: X°± **.005		

X1	NEW RELEASE	4/8/14	Seawen
REV.	DESCRIPTION	DATE	APPD