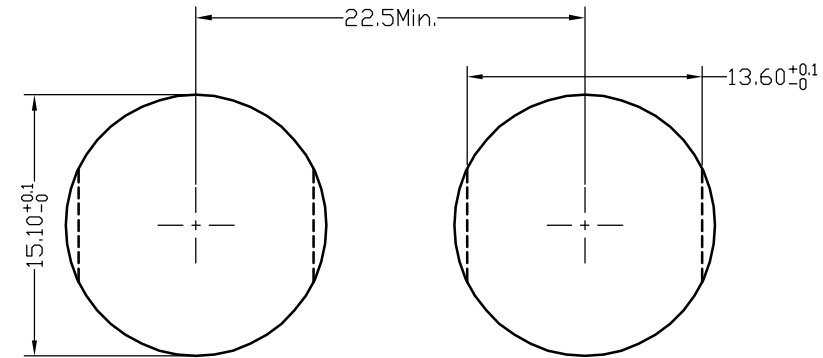


NOTE:

- 1. MATERIAL AND FINISH
 - 1.1. SHELL ASSEMBLY: COPPER ALLOY, OUTER SHELL AND COLLET NUT Cr PLATING, OTHER METALLIC COMPONENTS Ni PLATING
 - 1.2. INSULATOR: PEEK
 - 1.3. CONTACT: COPPER ALLOY, GOLD PLATING
- 2. RoHS COMPLIANCE
- 3. PART NO.



PANEL CUT-OUT

R - F 2 B N * * 0 * 0 0 * 0 0

CONTACT POS.
02-32=2pin-32pin

SHELL MATERIAL
0=Brass

CODE	KEY ANGLES
0	0
A	30°
B	60°
"	"

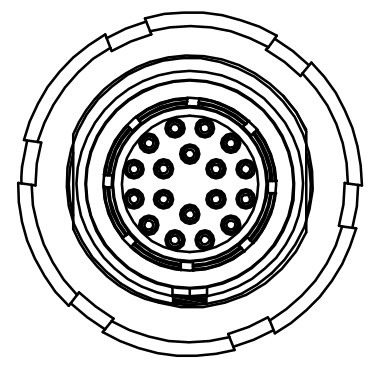
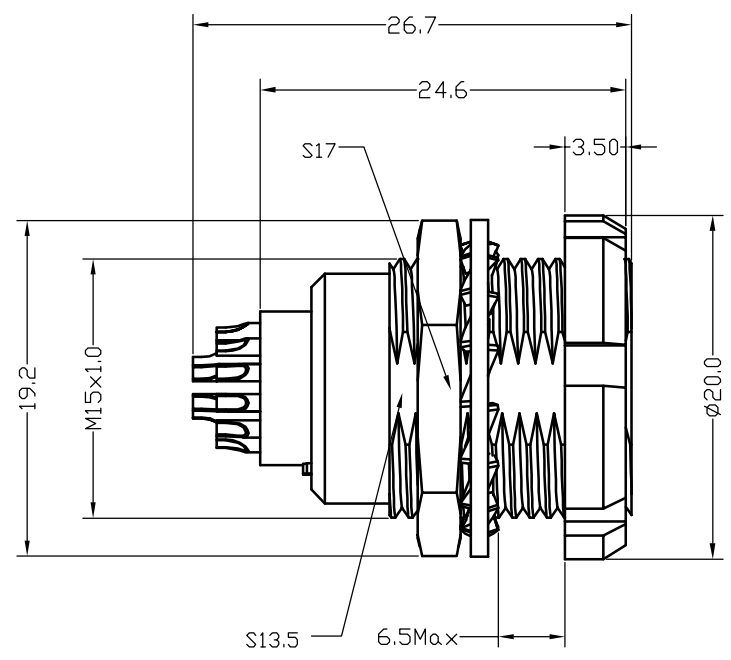
CODE	CONTACT TYPE
2	Male Solder Contact
4	Female Solder Contact
C	Crimp Male Contact
M	Crimp Female Contact
1	Male Print Contact
3	Female Print Contact

No. OF CONTACTS	∅A	L
02,03,04,05,06,07,	0.7	3.0
08,10,12,14,16,18,19,	0.7	3.0
26,32,	0.5	3.0

UNITS <input checked="" type="checkbox"/> mm <input type="checkbox"/> INCH		NAME: SNAP LATCH METAL 2B SOCKET TWO NUTS		NEXTRON® NEXTRONICS ENGINEERING CORP.	
GENERAL TOLERANCES: (UNLESS SPECIFIED)		PART NO: R-F2BN**0*00*00		TITLE: CUSTOMER DWG.	
	mm	INCH	APPD: Seawen 3/24'15		DWG NO: 010-0000-B31
4 PLACE	± **	± **	CHKD: Peter 3/24'15		C
3 PLACE	± 0.10	± **	DRAWN: Alex 3/24'15		SCALE: SHEET: REV.:
2 PLACE	± 0.30	± **			2.5/1 1/7 A
1 PLACE	± 0.50	± **			
ANGULAR:	X° ± 2°	X° ± **			

REV.	DESCRIPTION	DATE	APPD
A	ECN-150022	3/24'15	Seawen

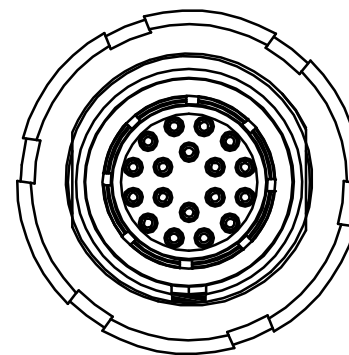
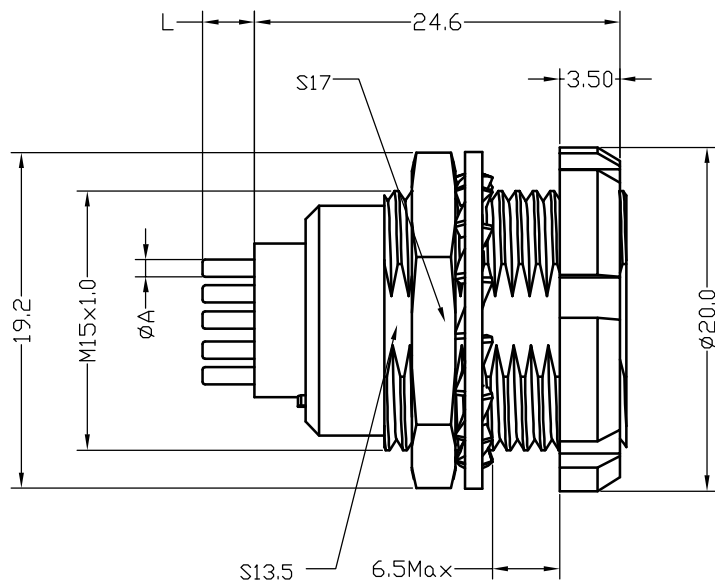
2B FIXED SOCKET SOLDER CONTACT TYPE VIEW



UNITS <input checked="" type="checkbox"/> mm <input type="checkbox"/> INCH		NAME: SNAP LATCH METAL 2B SOCKET TWO NUTS		NEXTRONICS ENGINEERING CORP.	
GENERAL TOLERANCES: (UNLESS SPECIFIED)		PART NO: R-F2BN**0*00*00		TITLE: CUSTOMER DWG.	
		mm	INCH	APPD: Seawen 3/24'15	DWG NO: 010-0000-B31
4 PLACE	± **	± **	± **	CHKD: Peter 3/24'15	C
3 PLACE	± 0.10	± **	± **	DRAWN: Alex 3/24'15	
2 PLACE	± 0.30	± **	± **		
1 PLACE	± 0.50	± **	± **		
ANGULAR:	X° ± 2°	X° ± **	X° ± **		

A	ECN-150022	3/24'15	Seawen
REV.	DESCRIPTION	DATE	APPD

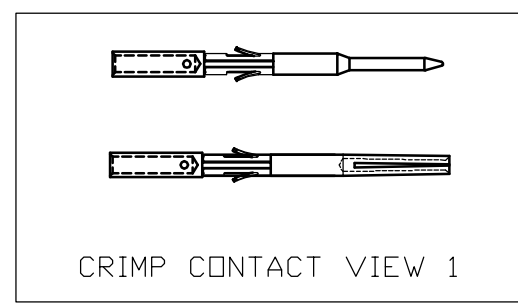
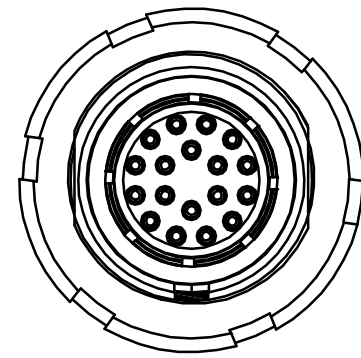
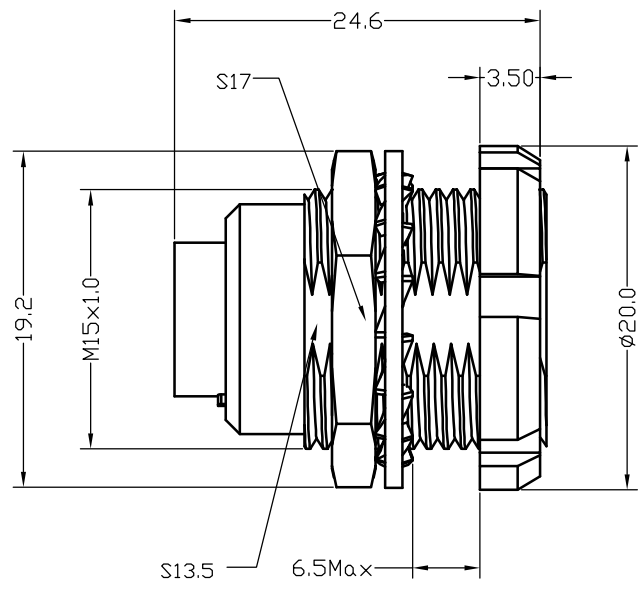
2B FIXED SOCKET PRINT CONTACT TYPE VIEW



UNITS <input checked="" type="checkbox"/> mm <input type="checkbox"/> INCH		NAME: SNAP LATCH METAL 2B SOCKET TWO NUTS		NEXTRONICS ENGINEERING CORP.	
GENERAL TOLERANCES: (UNLESS SPECIFIED)		PART NO: R-F2BN**0*00*00		TITLE: CUSTOMER DWG.	
	mm	INCH	APPD: Seawen 3/24'15		DWG NO: 010-0000-B31
4 PLACE	± **	± **	CHKD: Peter 3/24'15		C
3 PLACE	± 0.10	± **	DRAWN: Alex 3/24'15		
2 PLACE	± 0.30	± **			
1 PLACE	± 0.50	± **			
ANGULAR:	X° ± 2°	X° ± **			

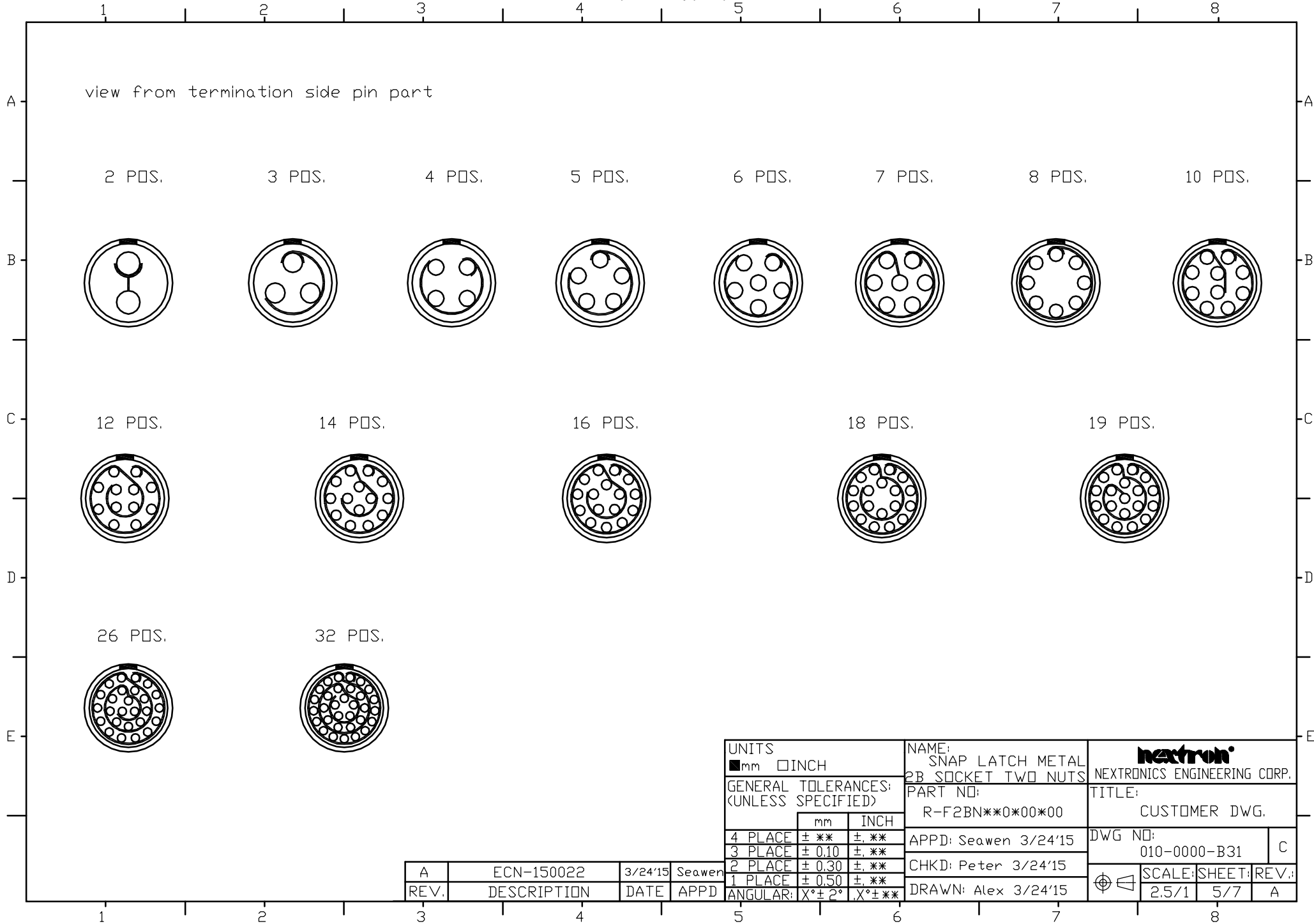
A	ECN-150022	3/24'15	Seawen
REV.	DESCRIPTION	DATE	APPD

2B FIXED SOCKET CRIMP CONTACT TYPE VIEW



UNITS <input checked="" type="checkbox"/> mm <input type="checkbox"/> INCH		NAME: SNAP LATCH METAL 2B SOCKET TWO NUTS		NEXTRONICS ENGINEERING CORP.	
GENERAL TOLERANCES: (UNLESS SPECIFIED)		PART NO: R-F2BN**0*00*00		TITLE: CUSTOMER DWG.	
	mm	INCH	APPD: Seawen 3/24'15		DWG NO: 010-0000-B31
4 PLACE	$\pm **$	$\pm **$	CHKD: Peter 3/24'15		C
3 PLACE	± 0.10	$\pm **$	DRAWN: Alex 3/24'15		
2 PLACE	± 0.30	$\pm **$			
1 PLACE	± 0.50	$\pm **$			
ANGULAR:	$X^\circ \pm 2^\circ$	$X^\circ \pm **$			

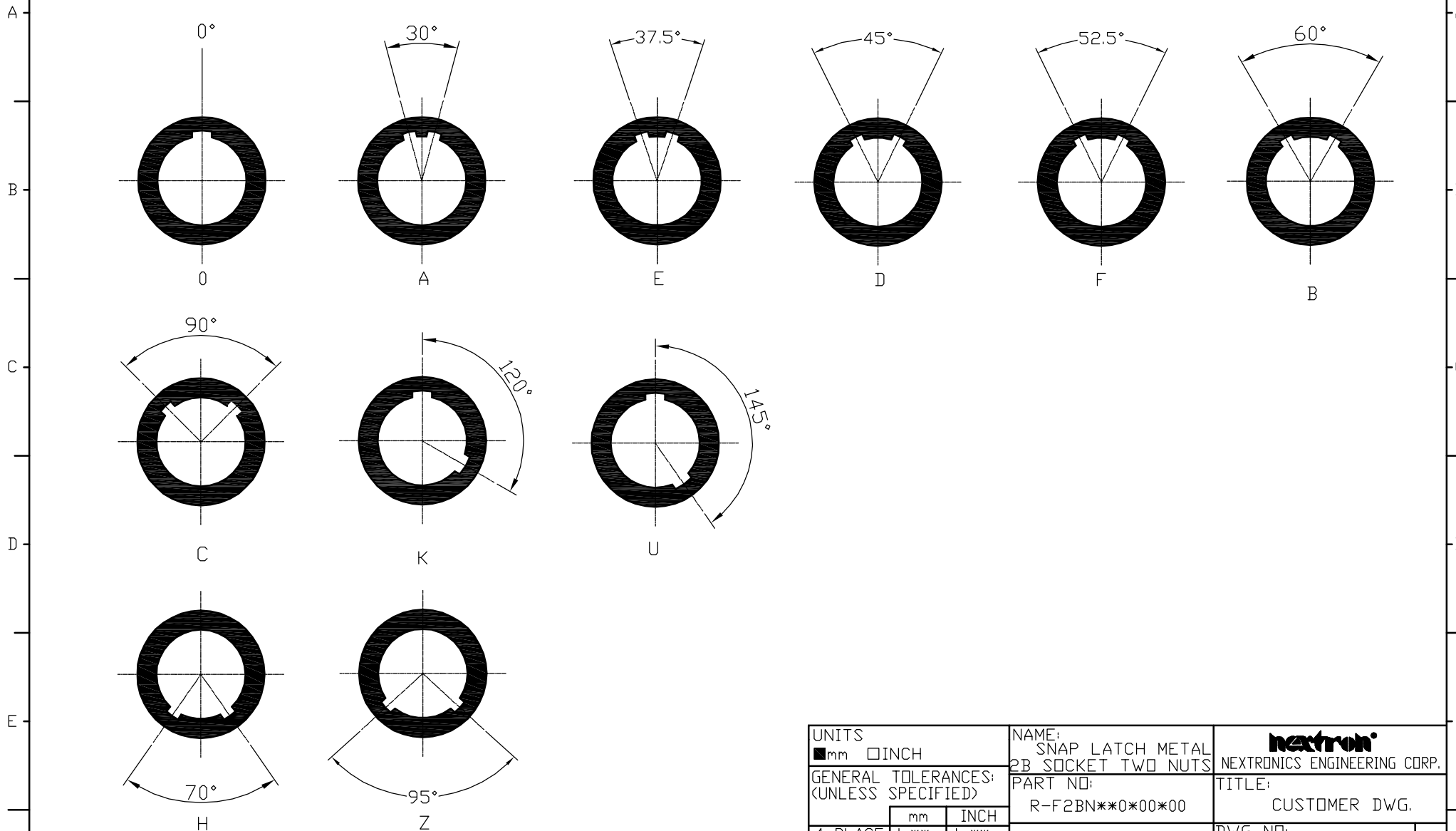
A	ECN-150022	3/24'15	Seawen
REV.	DESCRIPTION	DATE	APPD



UNITS <input checked="" type="checkbox"/> mm <input type="checkbox"/> INCH		NAME: SNAP LATCH METAL 2B SOCKET TWO NUTS		NEXTRONICS ENGINEERING CORP.	
GENERAL TOLERANCES: (UNLESS SPECIFIED)		PART NO: R-F2BN**0*00*00		TITLE: CUSTOMER DWG.	
	mm	INCH	APPD: Seawen 3/24'15		DWG NO: 010-0000-B31
4 PLACE	± **	± **	CHKD: Peter 3/24'15		C
3 PLACE	± 0.10	± **	DRAWN: Alex 3/24'15		
2 PLACE	± 0.30	± **			
1 PLACE	± 0.50	± **			
ANGULAR:	X° ± 2°	X° ± **			

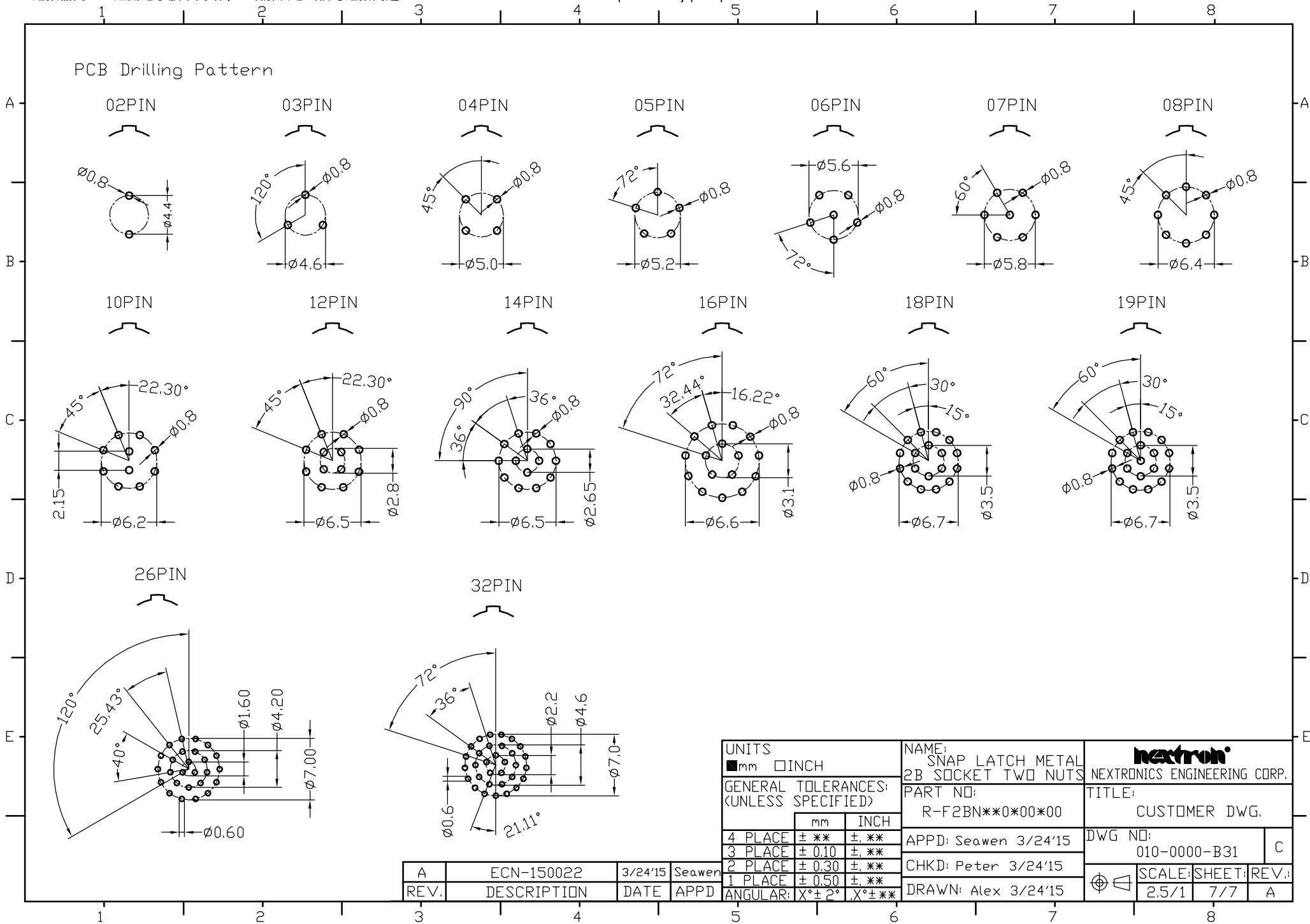
A	ECN-150022	3/24'15	Seawen
REV.	DESCRIPTION	DATE	APPD

KEY ANGLES (RECEPTACLE FRONT VIEW):



A	ECN-150022	3/24'15	Seawen
REV.	DESCRIPTION	DATE	APPD

UNITS ■mm □INCH		NAME: SNAP LATCH METAL 2B SOCKET TWO NUTS		NEXTRONICS ENGINEERING CORP.	
GENERAL TOLERANCES: (UNLESS SPECIFIED)		PART NO: R-F2BN**0*00*00		TITLE: CUSTOMER DWG.	
	mm	INCH	APPD: Seawen 3/24'15	DWG NO: 010-0000-B31	
4 PLACE	± **	± **	CHKD: Peter 3/24'15	C	
3 PLACE	± 0.10	± **	DRAWN: Alex 3/24'15	SCALE:	SHEET:
2 PLACE	± 0.30	± **		2.5/1	6/7
1 PLACE	± 0.50	± **		REV.:	A
ANGULAR:	X° ± 2°	X° ± **			



UNITS ■mm □INCH		NAME: SNAP LATCH METAL 2B SOCKET TWO NUTS		NEXTRONICS ENGINEERING CORP.	
GENERAL TOLERANCES: (UNLESS SPECIFIED)		PART NO: R-F2BN**0*00*00		TITLE: CUSTOMER DWG.	
	mm	INCH	APPD: Seawen 3/24'15	DWG NO: 010-0000-B31	C
4 PLACE	± **	± **	CHKD: Peter 3/24'15	SCALE: 2.5/1	SHEET: 7/7
3 PLACE	± 0.10	± **	DRAWN: Alex 3/24'15	REV.: A	
2 PLACE	± 0.30	± **			
1 PLACE	± 0.50	± **			
ANGULAR:	X° ± 2°	X° ± **			

A	ECN-150022	3/24'15	Seawen
REV.	DESCRIPTION	DATE	APPD

A1

D-PRD-034