

NEXTRON PART NUMBER DESCRIPTION

Z-8242110000X1X

LIGHT PIPE OPTION

- 0=WITHOUT LIGHT PIPE
- 1=WITH INNER & OUTER LIGHT PIPE
- 2=WITH INNER LIGHT PIPE
- 3=WITH OUTER LIGHT PIPE

LOGO OPTION

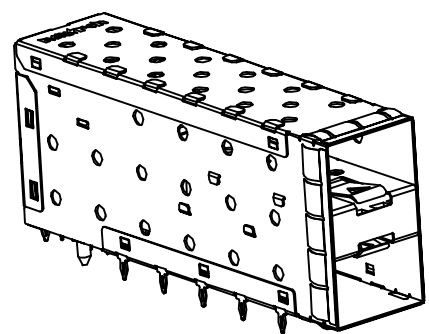
- 0=WITH NEXTRON LOGO
- 1=WITHOUT LOGO

NOTE:

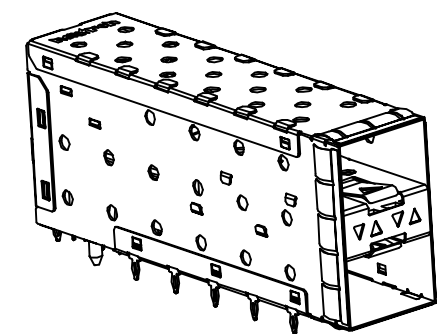
1. MATERIAL:
 - CAGE ASSEMBLY: COPPER ALLOY, 0.25mm THICKNESS.
 - EMI SPRINGS: COPPER ALLOY, 0.10mm THICKNESS.
 - HOUSING: HIGH TEMPERATURE THERMOPLASTIC, UL94V-0, COLOR: BLACK.
 - INSERTMOLD: HIGH TEMPERATURE THERMOPLASTIC, UL94V-0, COLOR: BLACK.
 - LIGHT PIPE: POLYCARBONATE, CLEAR.
 - CONTACT: COPPER ALLOY, 0.20mm THICKNESS.
2. FINISH:
 - CONTACT: GOLD PLATED ON CONTACT AREA; MATTE TIN PLATED ON TAIL AREA.
 - CAGE: NICKEL PLATED.
3. PC BOARD THICKNESS: 1.5mm MIN.
4. THIS PART MEETS THE RESTRICTION OF HAZARDOUS SUBSTANCES IN ELECTRICAL AND ELECTRONIC EQUIPMENT (ROHS) DIRECTIVE (2011/65/EU).

UNITS ■mm □INCH		NAME: SFP+ 2X1 CAGE AND CONNECTOR ASSEMBLY, PRESS FIT, WITH EMI SPRINGS		 NEXTRONICS ENGINEERING CORP.	
GENERAL TOLERANCES: (UNLESS SPECIFIED)		PART NO: Z-8242110000X1X		TITLE: CUSTOMER DWG.	
	mm	INCH	APPD: 楊海文 07/01'14	DWG NO: 010-0000-A01	
4 PLACE	± **.05	± **.002	CHKD: 楊海文 07/01'14	C	
3 PLACE	± 0.10	± **.004	DRAWN: 廖小瓊 07/01'14	SCALE: SHEET: REV.:	
2 PLACE	± 0.20	± **.008		3/2	1/4
1 PLACE	± 0.25	± **.010			B
ANGULAR:	X° ± 1°	X° ± **.05			

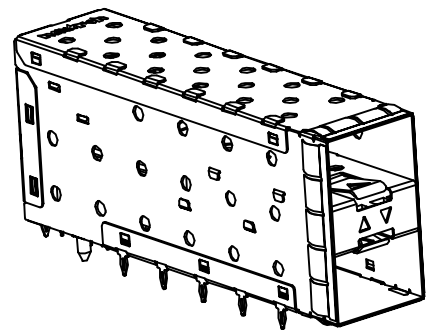
B	ECN-130255	07/01'14	楊海文
REV.	DESCRIPTION	DATE	APPD



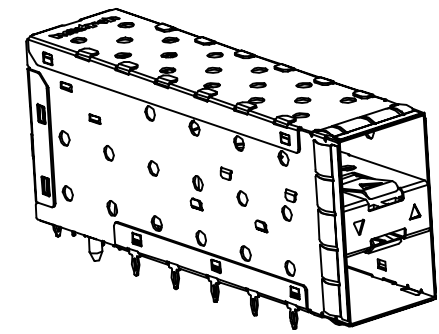
Z-82421100001X AS SHOWN
WITHOUT LIGHT PIPE



Z-82421100001X AS SHOWN
WITH INNER & OUTER LIGHT PIPES



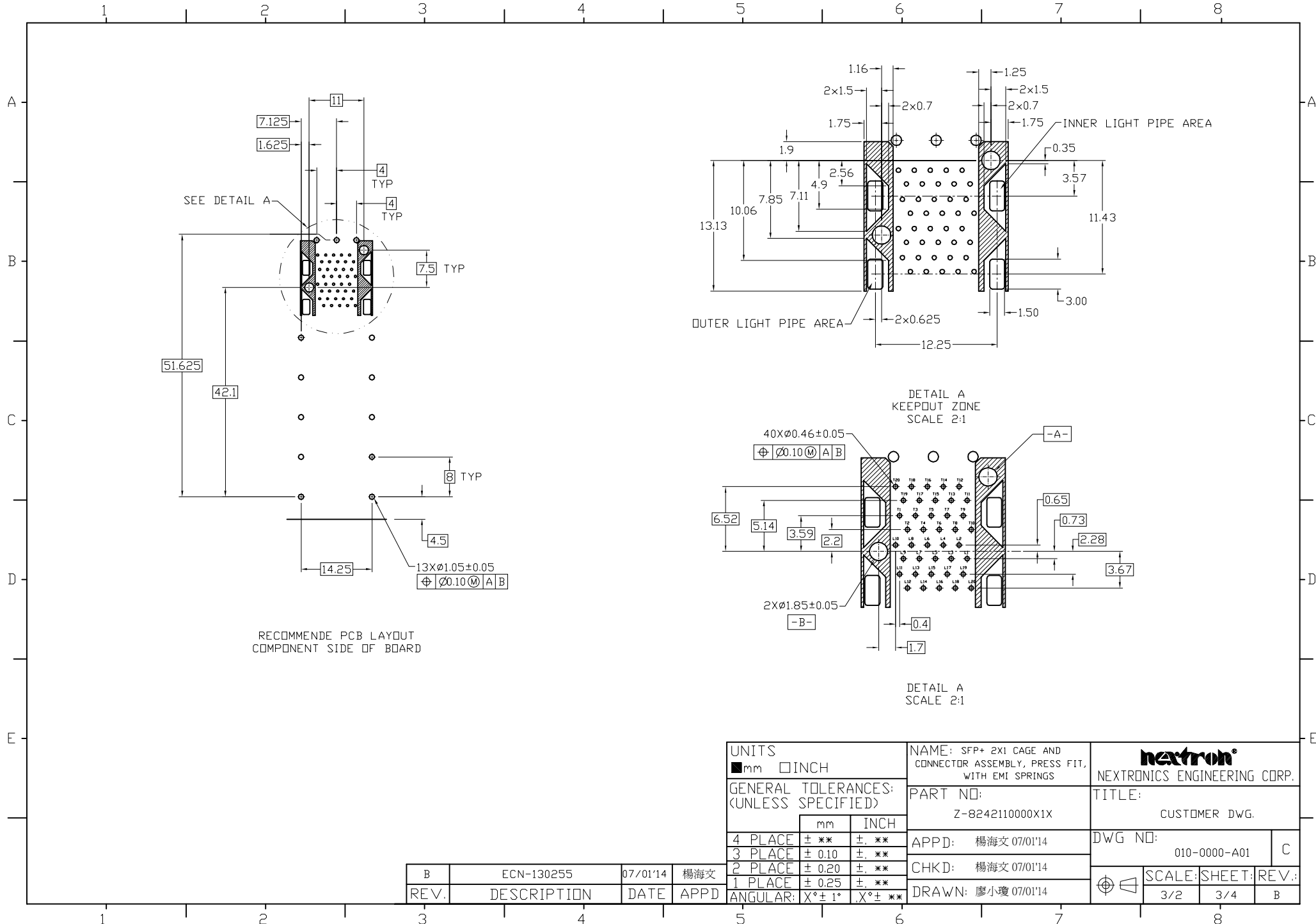
Z-824211000021X AS SHOWN
WITH INNER LIGHT PIPES



Z-824211000031X AS SHOWN
WITH OUTER LIGHT PIPES

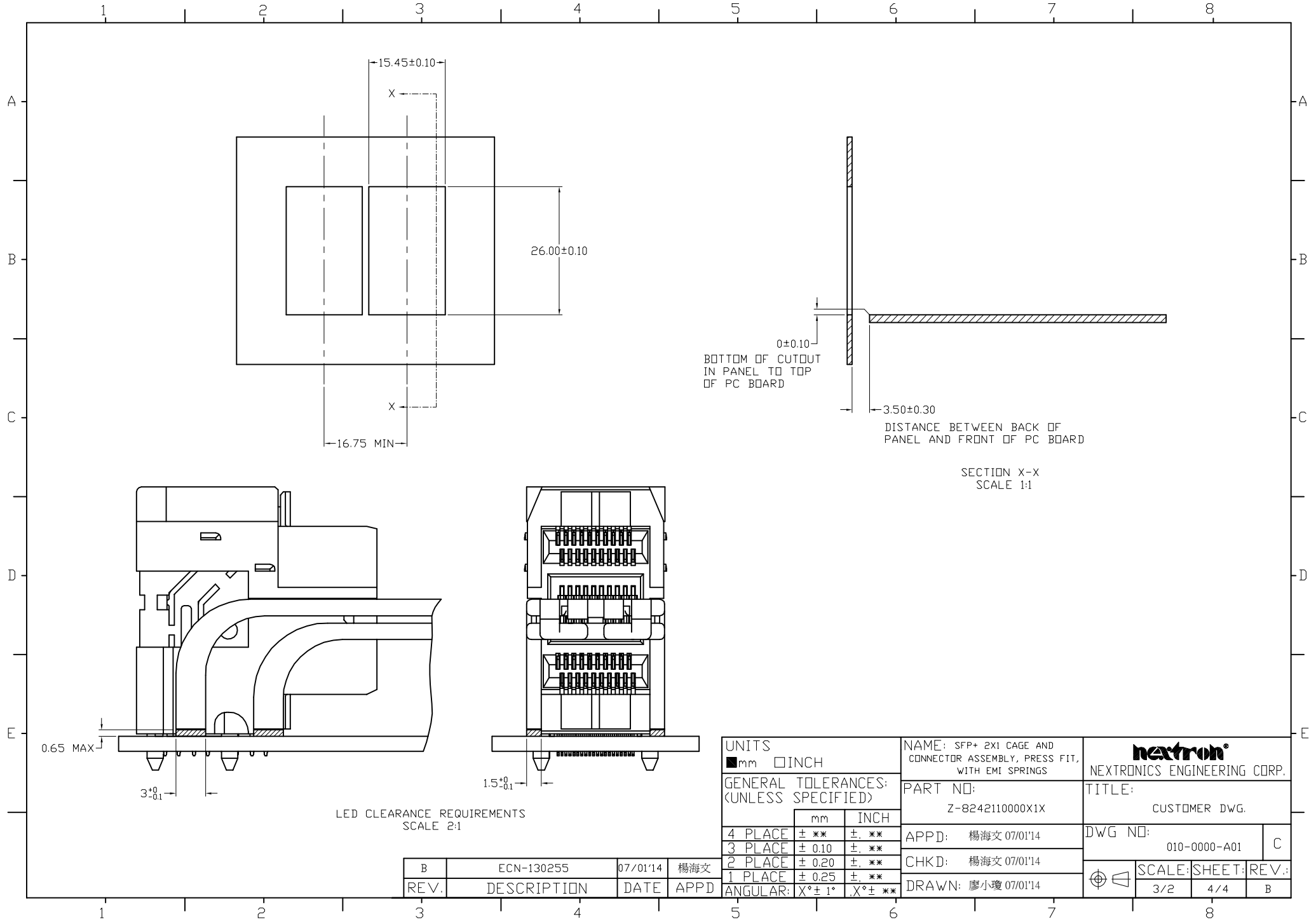
UNITS ■mm □INCH		NAME: SFP+ 2X1 CAGE AND CONNECTOR ASSEMBLY, PRESS FIT, WITH EMI SPRINGS		NEXTRONICS ENGINEERING CORP.	
GENERAL TOLERANCES: (UNLESS SPECIFIED)		PART NO: Z-82421100001X		TITLE: CUSTOMER DWG.	
	mm	INCH	APPD: 楊海文 07/01'14	DWG NO: 010-0000-A01	
4 PLACE	± **	±. **	CHKD: 楊海文 07/01'14	C	
3 PLACE	± 0.10	±. **	DRAWN: 廖小瓊 07/01'14	SCALE: SHEET: REV.:	
2 PLACE	± 0.20	±. **		3/2	2/4
1 PLACE	± 0.25	±. **			
ANGULAR:	X° ± 1°	X° ± **			

B	ECN-130255	07/01'14	楊海文
REV.	DESCRIPTION	DATE	APPD



UNITS ■ mm □ INCH		NAME: SFP+ 2X1 CAGE AND CONNECTOR ASSEMBLY, PRESS FIT, WITH EMI SPRINGS		 NEXTRONICS ENGINEERING CORP.	
GENERAL TOLERANCES: (UNLESS SPECIFIED)		PART NO: Z-8242110000X1X			
		mm	INCH	APPD: 楊海文 07/01'14	DWG NO: 010-0000-A01
4 PLACE	± **	± **. **		CHKD: 楊海文 07/01'14	C
3 PLACE	± 0.10	± **. **		DRAWN: 廖小瓊 07/01'14	
2 PLACE	± 0.20	± **. **			
1 PLACE	± 0.25	± **. **			
ANGULAR:	X° ± 1°	X° ± **. **			SCALE: SHEET: REV.: 3/2 3/4 B

B	ECN-130255	07/01'14	楊海文
REV.	DESCRIPTION	DATE	APPD



UNITS		<input checked="" type="checkbox"/> mm <input type="checkbox"/> INCH	
GENERAL TOLERANCES: (UNLESS SPECIFIED)			
	mm	INCH	
4 PLACE	± **.	± **.	
3 PLACE	± 0.10	± **.	
2 PLACE	± 0.20	± **.	
1 PLACE	± 0.25	± **.	
ANGULAR:	X° ± 1°	X° ± **.	

NAME: SFP+ 2X1 CAGE AND CONNECTOR ASSEMBLY, PRESS FIT, WITH EMI SPRINGS	PART NO: Z-8242110000X1X	
APPD: 楊海文 07/01'14	CHKD: 楊海文 07/01'14	
DRAWN: 廖小瓊 07/01'14		

 NEXTRONICS ENGINEERING CORP.		
TITLE: CUSTOMER DWG.		
DWG NO: 010-0000-A01		C
SCALE: 3/2	SHEET: 4/4	REV.: B

B	ECN-130255	07/01'14	楊海文
REV.	DESCRIPTION	DATE	APPD