

NEXTRON PART NUMBER DESCRIPTION

Z-8242210000X0X

LIGHT PIPE OPTION

- 0=WITHOUT LIGHT PIPE
- 1=WITH INNER & OUTER LIGHT PIPE
- 2=WITH INNER LIGHT PIPE
- 3=WITH OUTER LIGHT PIPE

LOGO OPTION

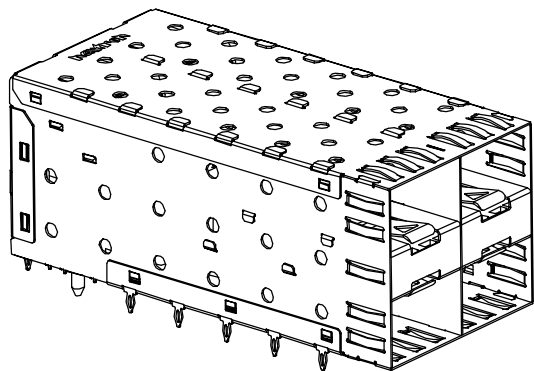
- 0=WITH NEXTRON LOGO
- 1=WITHOUT LOGO

NOTE:

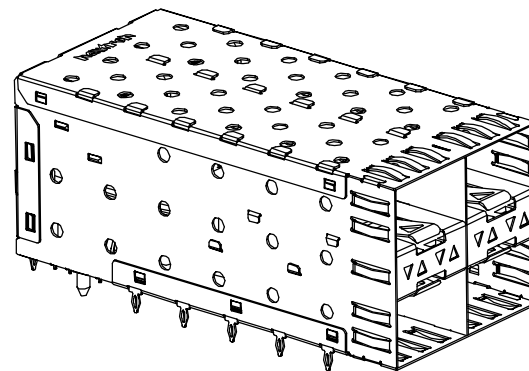
1. MATERIAL:
CAGE ASSEMBLY: COPPER ALLOY, 0.25mm THICKNESS.
HOUSING: HIGH TEMPERATURE THERMOPLASTIC, UL94V-0, COLOR: BLACK.
LIGHT PIPE: POLYCARBONATE, CLEAR.
CONTACT: COPPER ALLOY, 0.20mm THICKNESS.
2. FINISH:
TERMINALS: GOLD PLATED ON CONTACT AREA;
MATTE TIN PLATED ON TAIL AREA.
CAGE: NICKEL PLATED.
3. PC BOARD THICKNESS: 1.5mm MIN.
4. THIS PART MEETS THE RESTRICTION OF HAZARDOUS SUBSTANCES IN ELECTRICAL AND ELECTRONIC EQUIPMENT (ROHS) DIRECTIVE (2011/65/EU).

UNITS ■mm □INCH		NAME: SFP 2X2 ASS'Y, PRESS FIT, STANDARD		NEXTRONICS ENGINEERING CORP.	
GENERAL TOLERANCES: (UNLESS SPECIFIED)		PART NO: Z-8242210000X0X			
	mm	INCH	APPD: 楊海文 07/01'14	DWG NO: 010-0000-814	
4 PLACE	± **.	± **.	CHKD: 楊海文 07/01'14	C	
3 PLACE	± 0.10	± **.	DRAWN: 廖小瓊 07/01'14	SCALE: SHEET: REV.:	
2 PLACE	± 0.20	± **.		3/2	1/4
1 PLACE	± 0.25	± **.			D
ANGULAR:	X° ± 1°	.X° ± **.			

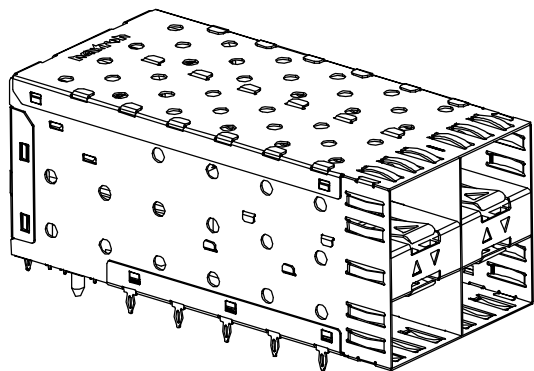
D	ECN-130255	07/01'14	楊海文
REV.	DESCRIPTION	DATE	APPD



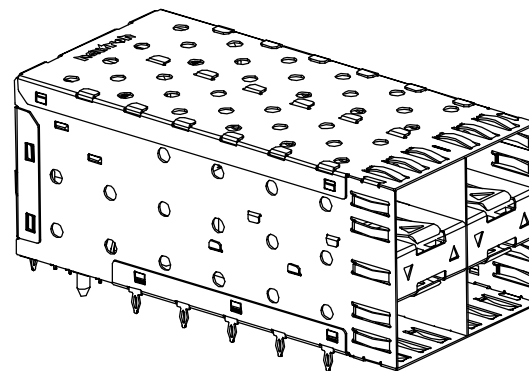
Z-824221000000X AS SHOWN
WITHOUT LIGHT PIPE



Z-824221000010X AS SHOWN
WITH INNER & OUTER LIGHT PIPES



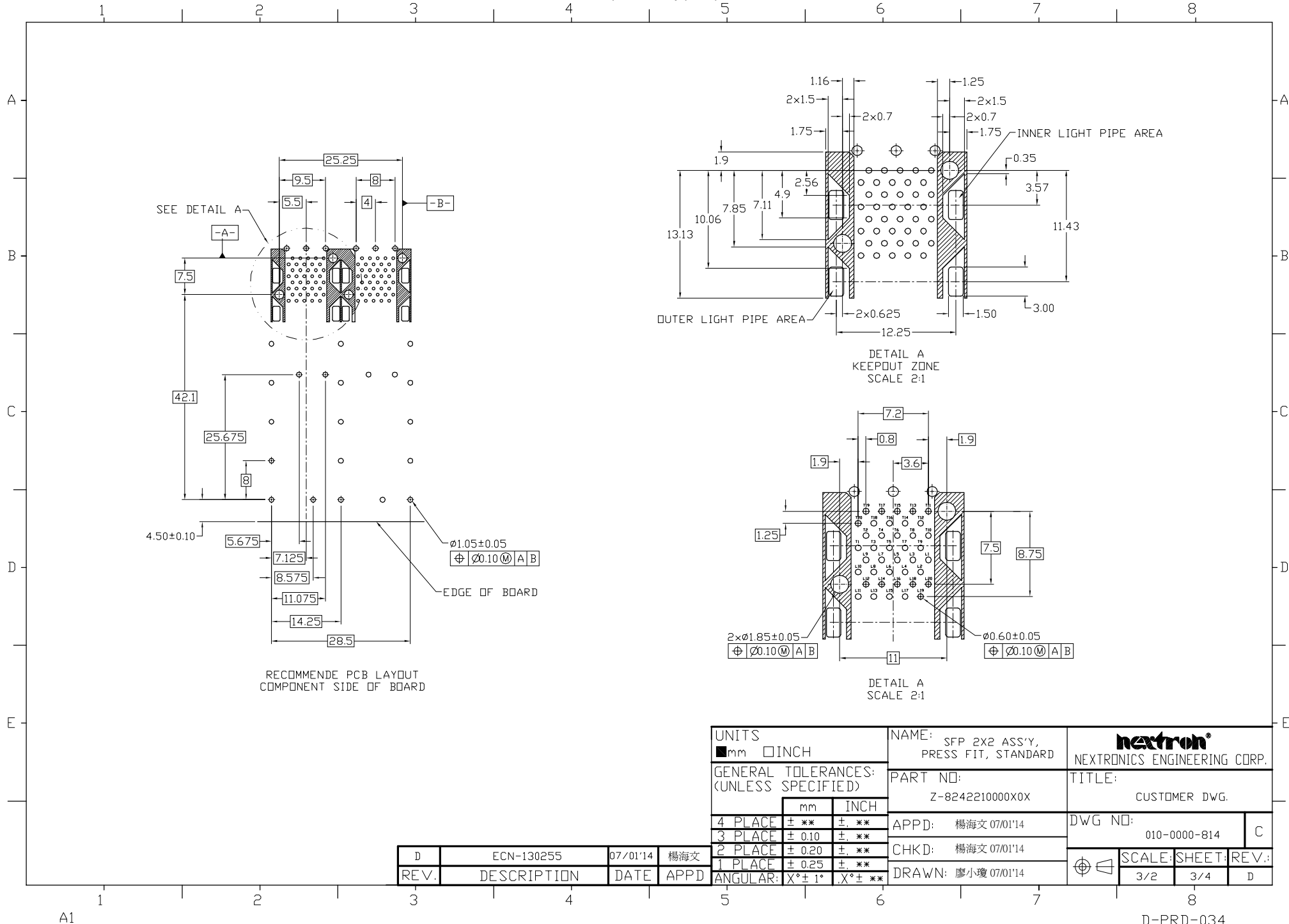
Z-824221000020X AS SHOWN
WITH INNER LIGHT PIPES



Z-824221000030X AS SHOWN
WITH OUTER LIGHT PIPES

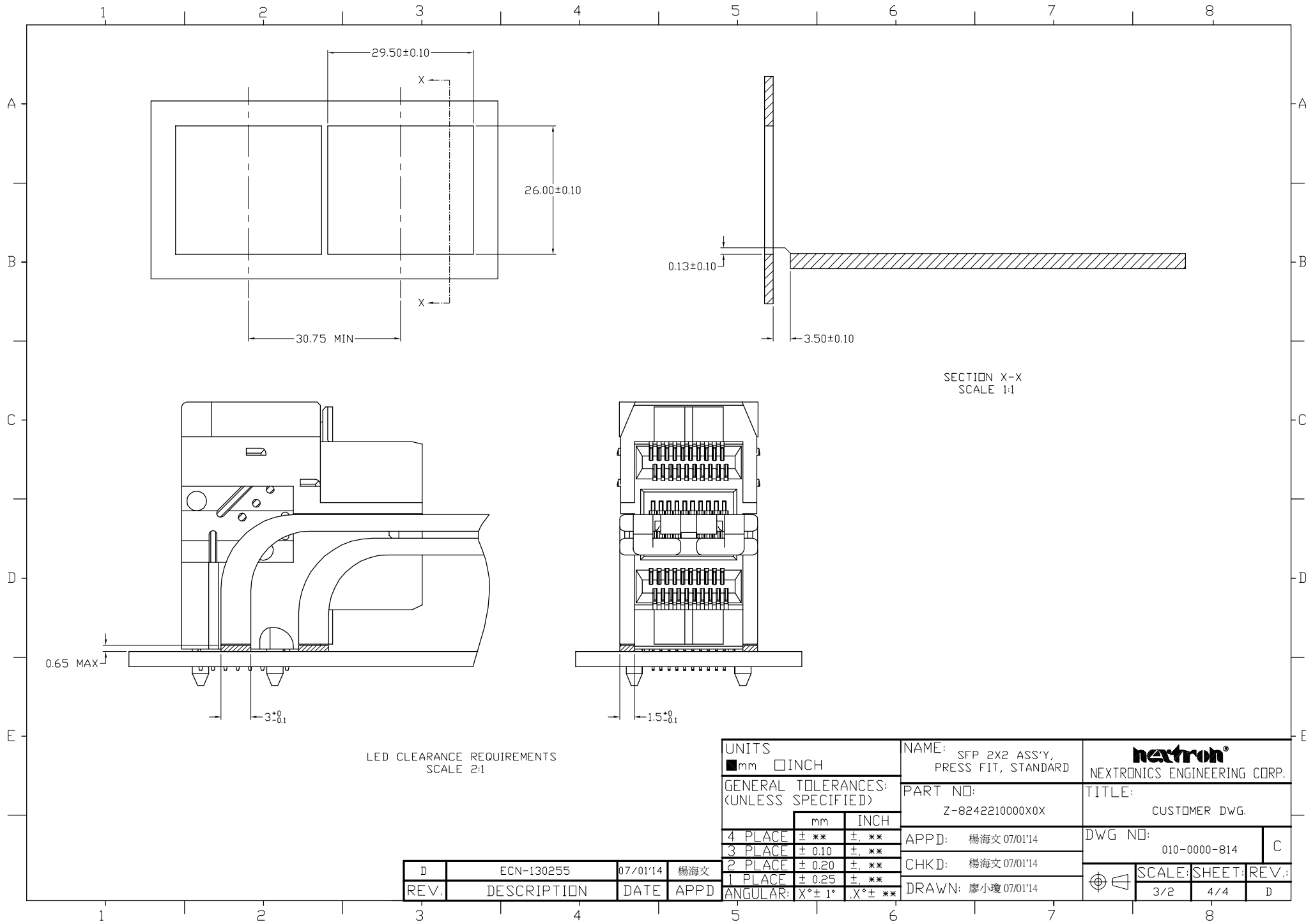
UNITS ■ mm □ INCH		NAME: SFP 2X2 ASS'Y, PRESS FIT, STANDARD		 NEXTRONICS ENGINEERING CORP.	
GENERAL TOLERANCES: (UNLESS SPECIFIED)		PART NO: Z-8242210000X0X			
	mm	INCH	APPD: 楊海文 07/01'14	DWG NO: 010-0000-814	
4 PLACE	± **	± .**	CHKD: 楊海文 07/01'14	C	
3 PLACE	± 0.10	± .**	DRAWN: 廖小瓊 07/01'14	SCALE: SHEET: REV.:	
2 PLACE	± 0.20	± .**		3/2	2/4
1 PLACE	± 0.25	± .**			
ANGULAR:	X° ± 1°	X° ± **.*			

D	ECN-130255	07/01'14	楊海文
REV.	DESCRIPTION	DATE	APPD



UNITS ■mm □INCH		NAME: SFP 2X2 ASS'Y, PRESS FIT, STANDARD		nexttron NEXTRONICS ENGINEERING CORP.	
GENERAL TOLERANCES: (UNLESS SPECIFIED)		PART NO: Z-8242210000X0X		TITLE: CUSTOMER DWG.	
	mm	INCH	APPD: 楊海文 07/01'14	DWG NO: 010-0000-814	
4 PLACE	± **	± **	CHKD: 楊海文 07/01'14	C	
3 PLACE	± 0.10	± **	DRAWN: 廖小瓊 07/01'14	SCALE: SHEET: REV.:	
2 PLACE	± 0.20	± **		3/2	3/4
1 PLACE	± 0.25	± **			D
ANGULAR:	X° ± 1°	X° ± **			

D	ECN-130255	07/01'14	楊海文
REV.	DESCRIPTION	DATE	APPD



SECTION X-X
SCALE 1:1

LED CLEARANCE REQUIREMENTS
SCALE 2:1

UNITS ■mm □INCH		NAME: SFP 2X2 ASS'Y, PRESS FIT, STANDARD		nexttron® NEXTRONICS ENGINEERING CORP.	
GENERAL TOLERANCES: (UNLESS SPECIFIED)		PART NO: Z-8242210000X0X		TITLE: CUSTOMER DWG.	
	mm	INCH	APPD: 楊海文 07/01'14	DWG NO: 010-0000-814	C
4 PLACE	± **.	± **.	CHKD: 楊海文 07/01'14	SCALE: 3/2	SHEET: 4/4
3 PLACE	± 0.10	± **.	DRAWN: 廖小瓊 07/01'14	REV.: D	
2 PLACE	± 0.20	± **.			
1 PLACE	± 0.25	± **.			
ANGULAR:	X° ± 1°	.X° ± **.			

D	ECN-130255	07/01'14	楊海文
REV.	DESCRIPTION	DATE	APPD