

NEXTRON PART NUMBER DESCRIPTION

Z-8242210000X2X

LIGHT PIPE OPTION

- 0=WITHOUT LIGHT PIPE
- 1=WITH INNER & OUTER LIGHT PIPE
- 2=WITH INNER LIGHT PIPE
- 3=WITH OUTER LIGHT PIPE

LOGO OPTION

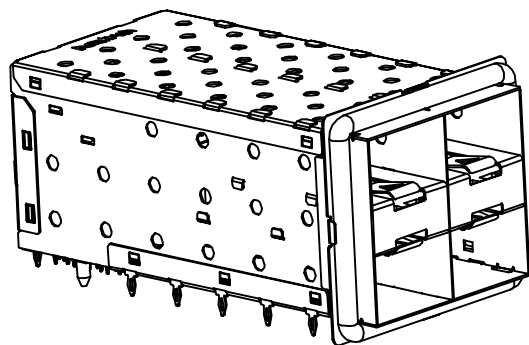
- 0=WITH NEXTRON LOGO
- 1=WITHOUT LOGO

NOTE:

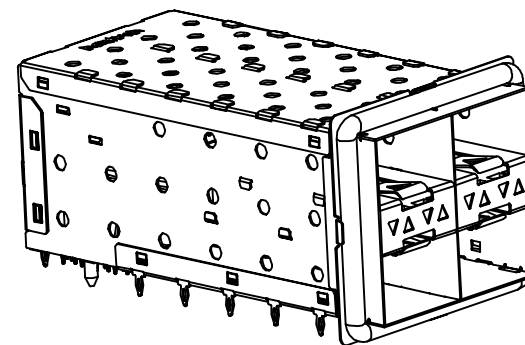
1. MATERIAL:
 - CAGE ASSEMBLY: COPPER ALLOY, 0.25mm THICKNESS.
 - BRACKET: COPPER ALLOY, 0.25mm THICKNESS.
 - HOUSING: HIGH TEMPERATURE THERMOPLASTIC, UL94V-0, COLOR: BLACK.
 - INSERTMOLD: HIGH TEMPERATURE THERMOPLASTIC, UL94V-0, COLOR: BLACK.
 - LIGHT PIPE: POLYCARBONATE, CLEAR.
 - CONTACT: COPPER ALLOY, 0.20mm THICKNESS.
 - EMI GASKET: CONDUCTIVE ELASTOMER.
2. FINISH:
 - CONTACT: GOLD PLATED ON CONTACT AREA; MATTE TIN PLATED ON TAIL AREA.
 - CAGE: NICKEL PLATED.
3. PC BOARD THICKNESS: 1.5mm MIN.
4. THIS PART MEETS THE RESTRICTION OF HAZARDOUS SUBSTANCES IN ELECTRICAL AND ELECTRONIC EQUIPMENT (ROHS) DIRECTIVE (2011/65/EU).

UNITS ■mm □INCH		NAME: SFP+ 2X2 CAGE AND CONNECTOR ASSEMBLY, PRESS FIT, WITH EMI GASKET		NEXTRONICS ENGINEERING CORP.	
GENERAL TOLERANCES: (UNLESS SPECIFIED)		PART NO: Z-8242210000X2X		TITLE: CUSTOMER DWG.	
	mm	INCH	APPD: 楊海文 07/01'14		DWG NO: 010-0000-A06
4 PLACE	± **.	± **.	CHKD: 楊海文 07/01'14		C
3 PLACE	± 0.10	± **.	DRAWN: 廖小瓊 07/01'14		
2 PLACE	± 0.20	± **.	SCALE: 3/2		SHEET: 1/4
1 PLACE	± 0.25	± **.	REV.:		B
ANGULAR:	X° ± 1°	X° ± **.			

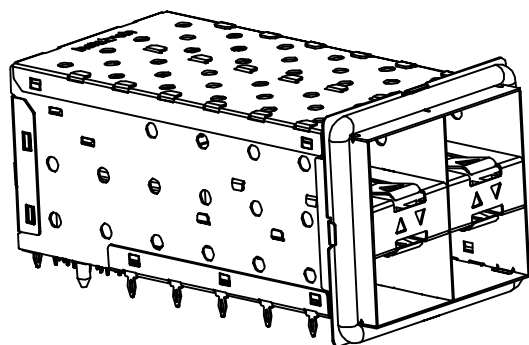
B	ECN-130255	07/01'14	楊海文
REV.	DESCRIPTION	DATE	APPD



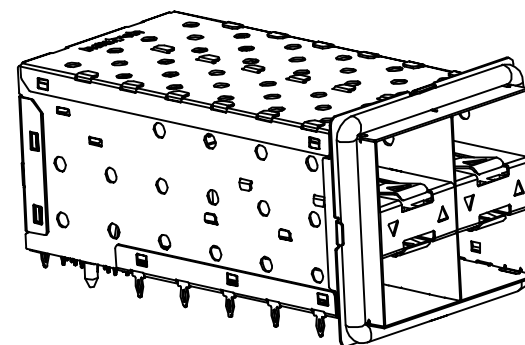
Z-82422100002X AS SHOWN
WITHOUT LIGHT PIPE




Z-824221000012X AS SHOWN
WITH INNER & OUTER LIGHT PIPES



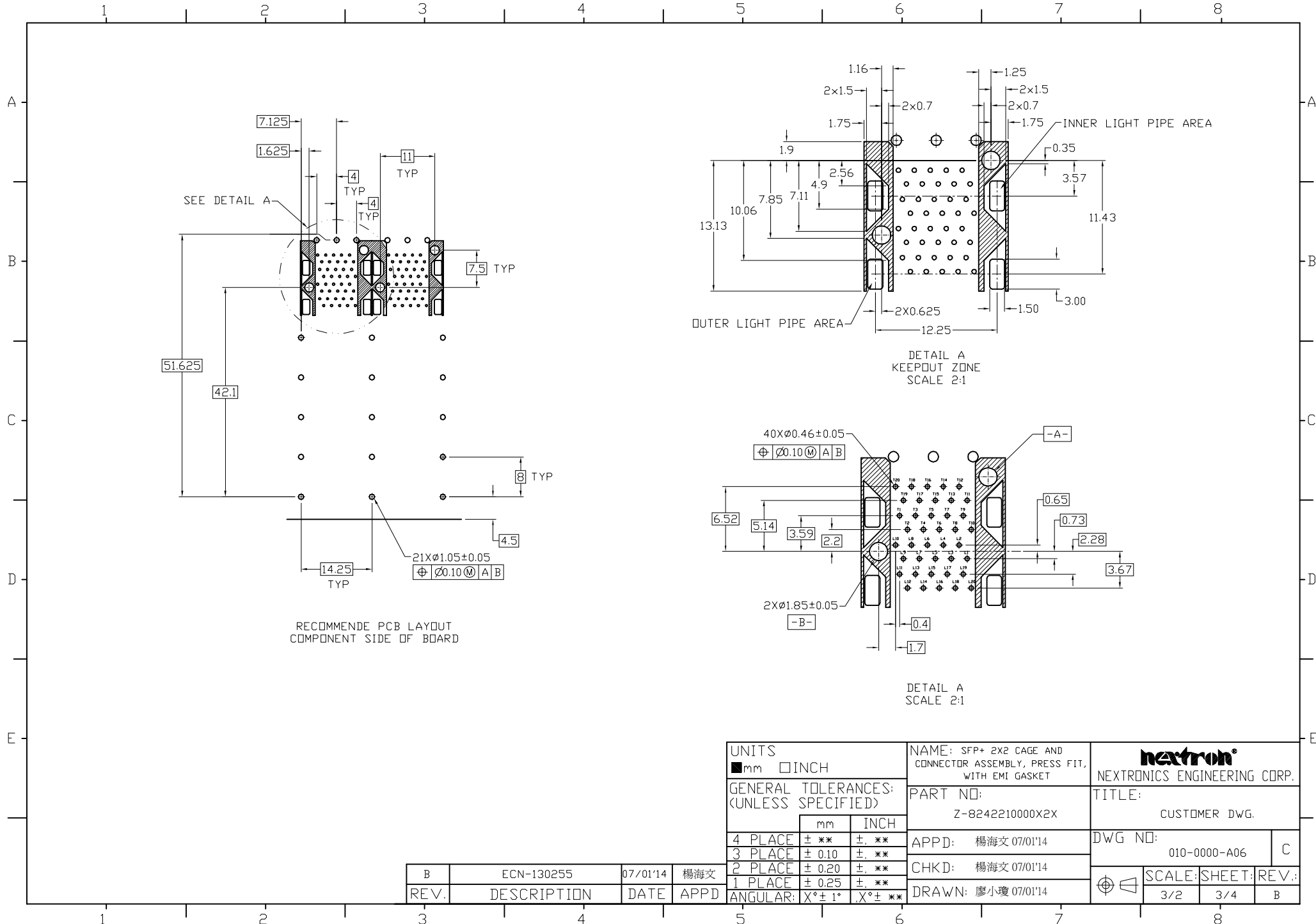
Z-824221000022X AS SHOWN
WITH INNER LIGHT PIPES



Z-824221000032X AS SHOWN
WITH OUTER LIGHT PIPES

UNITS ■ mm □ INCH		NAME: SFP+ 2X2 CAGE AND CONNECTOR ASSEMBLY, PRESS FIT, WITH EMI GASKET		 NEXTRONICS ENGINEERING CORP.	
GENERAL TOLERANCES: (UNLESS SPECIFIED)		PART NO: Z-8242210000X2X		TITLE: CUSTOMER DWG.	
	mm	INCH	APPD: 楊海文 07/01'14	DWG NO: 010-0000-A06	
4 PLACE	± **	±. **	CHKD: 楊海文 07/01'14	C	
3 PLACE	± 0.10	±. **	DRAWN: 廖小瓊 07/01'14	SCALE: SHEET: REV.:	
2 PLACE	± 0.20	±. **		3/2	2/4
1 PLACE	± 0.25	±. **			B
ANGULAR:	X° ± 1°	X° ± **			

B	ECN-130255	07/01'14	楊海文
REV.	DESCRIPTION	DATE	APPD



UNITS ■ mm □ INCH		NAME: SFP+ 2X2 CAGE AND CONNECTOR ASSEMBLY, PRESS FIT, WITH EMI GASKET		NEXTRONICS ENGINEERING CORP.		
GENERAL TOLERANCES: (UNLESS SPECIFIED)		PART NO: Z-8242210000X2X				TITLE: CUSTOMER DWG.
		mm	INCH	APPD: 楊海文 07/01'14	DWG NO: 010-0000-A06	C
4 PLACE	± **	± .**		CHKD: 楊海文 07/01'14	SCALE: SHEET: REV.:	
3 PLACE	± 0.10	± .**		DRAWN: 廖小瓊 07/01'14	3/2	3/4
2 PLACE	± 0.20	± .**				
1 PLACE	± 0.25	± .**				
ANGULAR:	X° ± 1°	X° ± **				

B	ECN-130255	07/01'14	楊海文
REV.	DESCRIPTION	DATE	APPD

