

NEXTRON PART NUMBER DESCRIPTION

Z-8242410000X0X

LIGHT PIPE OPTION  
 0=WITHOUT LIGHT PIPE  
 1=WITH INNER & OUTER LIGHT PIPE  
 2=WITH INNER LIGHT PIPE  
 3=WITH OUTER LIGHT PIPE

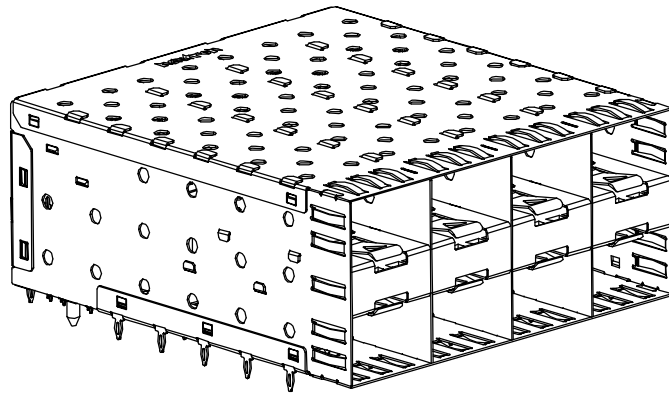
LOGO OPTION  
 0=WITH NEXTRON LOGO  
 1=WITHOUT LOGO

NOTE:

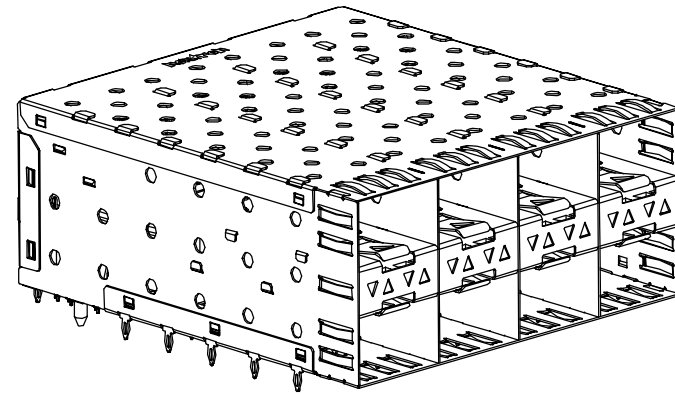
- MATERIAL:  
 CAGE ASSEMBLY: COPPER ALLOY, 0.25mm THICKNESS.  
 HOUSING: HIGH TEMPERATURE THERMOPLASTIC, UL94V-0, COLOR: BLACK.  
 LIGHT PIPE: POLYCARBONATE, CLEAR.  
 CONTACT: COPPER ALLOY, 0.20mm THICKNESS.
- FINISH:  
 TERMINALS: GOLD PLATED ON CONTACT AREA;  
 MATTE TIN PLATED ON TAIL AREA.  
 CAGE: NICKEL PLATED.
- PC BOARD THICKNESS: 1.5mm MIN.
- THIS PART MEETS THE RESTRICTION OF HAZARDOUS SUBSTANCES IN ELECTRICAL AND ELECTRONIC EQUIPMENT (ROHS) DIRECTIVE (2011/65/EU).

UNITS ■mm □INCH		NAME: SFP 2X4 ASS'Y, PRESS FIT, STANDARD		NEXTRONICS ENGINEERING CORP.	
GENERAL TOLERANCES: (UNLESS SPECIFIED)		PART NO: Z-8242410000X0X			
	mm	INCH	APPD: 楊海文 07/01'14	DWG NO: 010-0000-815	
4 PLACE	± **	±. **	CHKD: 楊海文 07/01'14	C	
3 PLACE	± 0.10	±. **	DRAWN: 廖小瓊 07/01'14	SCALE: SHEET: REV.:	
2 PLACE	± 0.20	±. **		3/2	1/4
1 PLACE	± 0.25	±. **			
ANGULAR:	X° ± 1°	X° ± **			

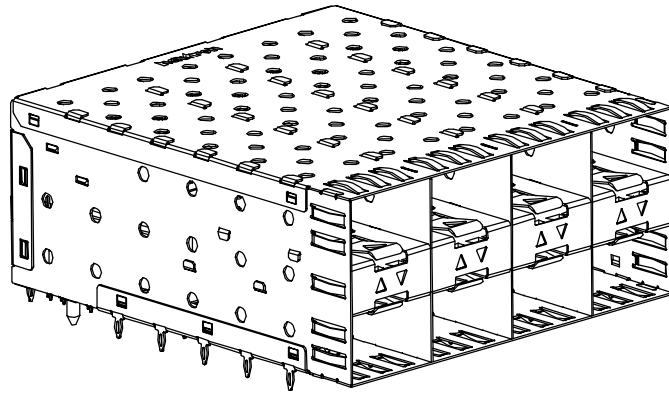
D	ECN-130255	07/01'14	楊海文
REV.	DESCRIPTION	DATE	APPD



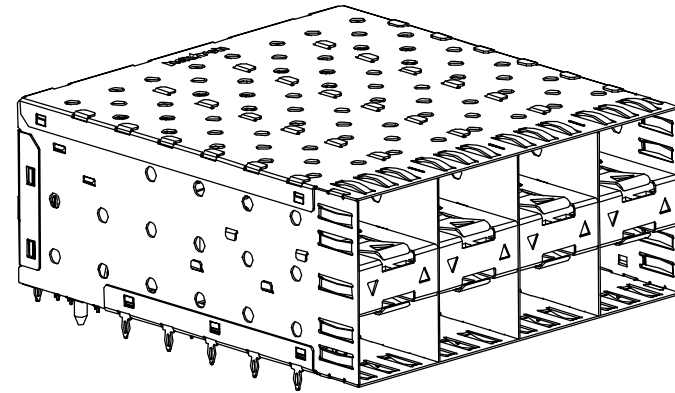
Z-824241000000X AS SHOWN  
WITHOUT LIGHT PIPE



Z-824241000010X AS SHOWN  
WITH INNER & OUTER LIGHT PIPES



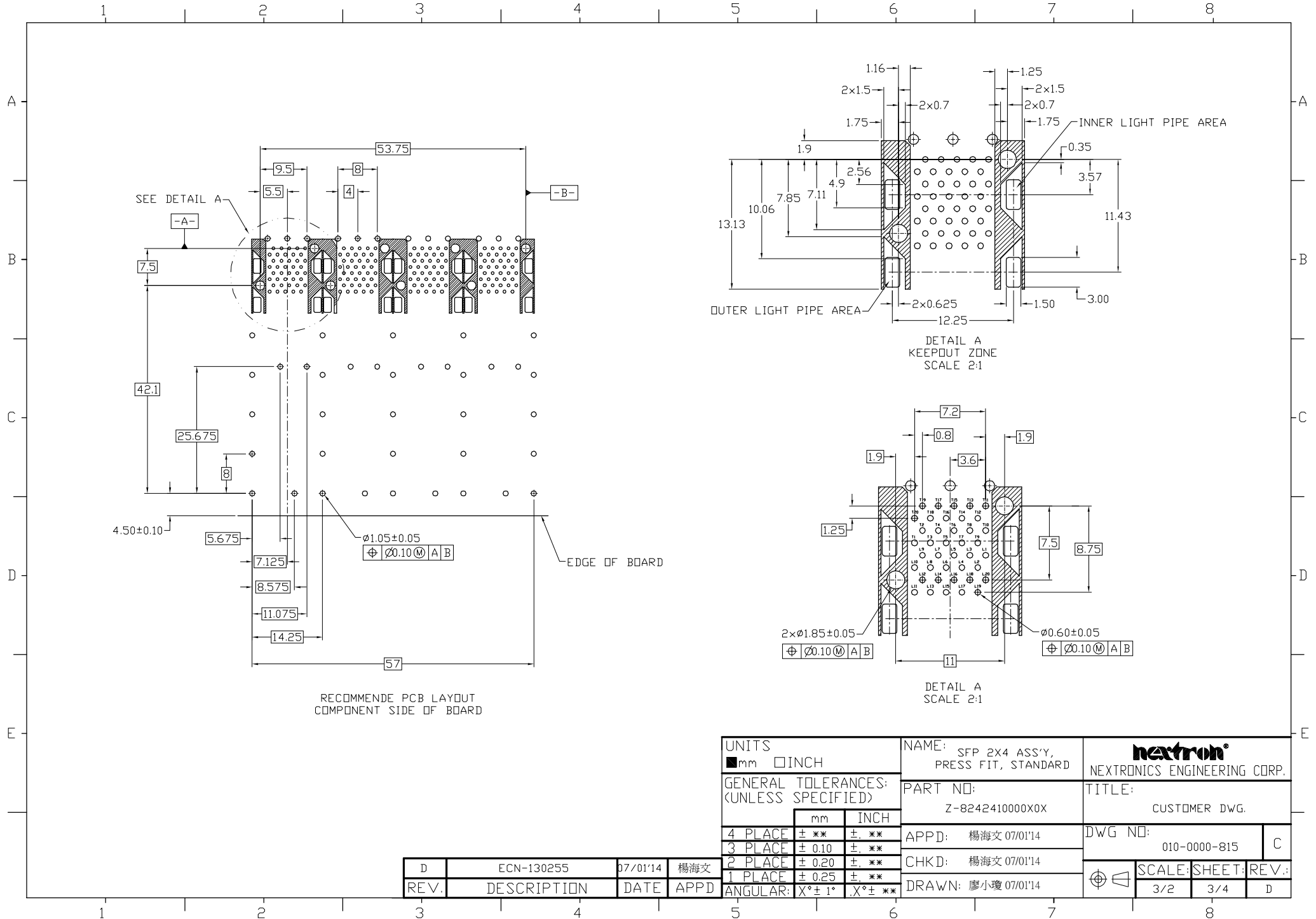
Z-824241000020X AS SHOWN  
WITH INNER LIGHT PIPES



Z-824241000030X AS SHOWN  
WITH OUTER LIGHT PIPES

UNITS ■ mm □ INCH		NAME: SFP 2X4 ASS'Y, PRESS FIT, STANDARD		 NEXTRONICS ENGINEERING CORP.	
GENERAL TOLERANCES: (UNLESS SPECIFIED)		PART NO: Z-8242410000X0X			
		mm	INCH	APPD: 楊海文 07/01'14	DWG NO: 010-0000-815
4 PLACE	± **.	± **.	± **.	CHKD: 楊海文 07/01'14	C
3 PLACE	± 0.10	± **.	± **.	DRAWN: 廖小瓊 07/01'14	
2 PLACE	± 0.20	± **.	± **.		SCALE: SHEET: REV.:
1 PLACE	± 0.25	± **.	± **.		3/2 2/4 D
ANGULAR:	X° ± 1°	X° ± **.	X° ± **.		

D	ECN-130255	07/01'14	楊海文
REV.	DESCRIPTION	DATE	APPD



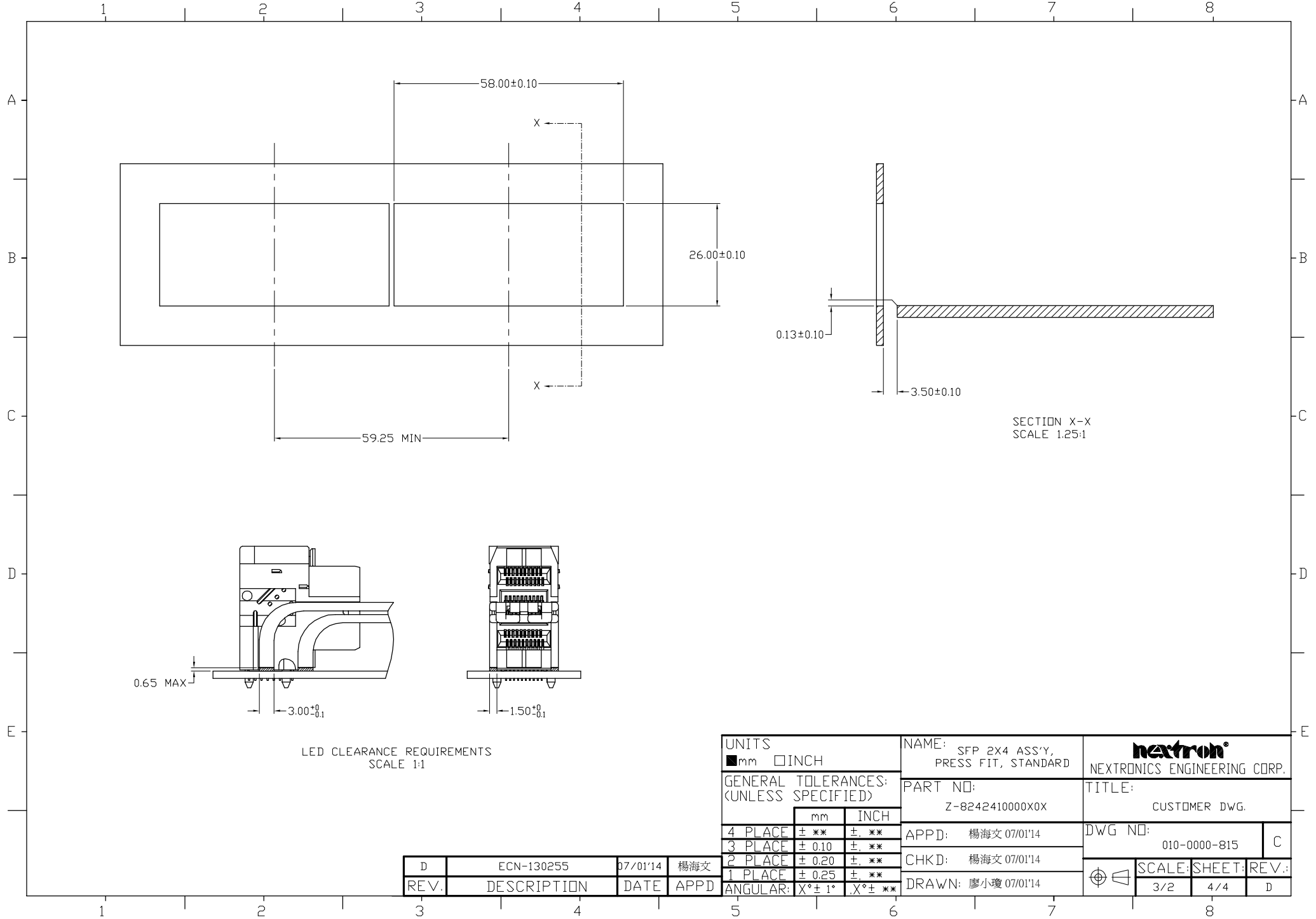
RECOMMENDE PCB LAYOUT  
COMPONENT SIDE OF BOARD

DETAIL A  
KEEPOUT ZONE  
SCALE 2:1

DETAIL A  
SCALE 2:1

UNITS ■mm □INCH		NAME: SFP 2X4 ASS'Y, PRESS FIT, STANDARD		 NEXTRONICS ENGINEERING CORP.	
GENERAL TOLERANCES: (UNLESS SPECIFIED)		PART NO: Z-8242410000X0X			
		mm	INCH	APPD: 楊海文 07/01'14	DWG NO: 010-0000-815
4 PLACE	± **	± .**	± .**	CHKD: 楊海文 07/01'14	C
3 PLACE	± 0.10	± .**	± .**	DRAWN: 廖小瓊 07/01'14	
2 PLACE	± 0.20	± .**	± .**	SCALE: 3/2	SHEET: 3/4
1 PLACE	± 0.25	± .**	± .**	REV.: D	
ANGULAR:	X° ± 1°	X° ± **	X° ± **		

D	ECN-130255	07/01'14	楊海文
REV.	DESCRIPTION	DATE	APPD



LED CLEARANCE REQUIREMENTS  
SCALE 1:1

UNITS ■mm □INCH		NAME: SFP 2X4 ASS'Y, PRESS FIT, STANDARD		nexttron® NEXTRONICS ENGINEERING CORP.	
GENERAL TOLERANCES: (UNLESS SPECIFIED)		PART NO: Z-8242410000X0X		TITLE: CUSTOMER DWG.	
	mm	INCH	APPD: 楊海文 07/01'14	DWG NO: 010-0000-815	
4 PLACE	± **	±. **	CHKD: 楊海文 07/01'14	C	
3 PLACE	± 0.10	±. **	DRAWN: 廖小瓊 07/01'14	SCALE: SHEET: REV.:	
2 PLACE	± 0.20	±. **		3/2	4/4
1 PLACE	± 0.25	±. **			D
ANGULAR:	X° ± 1°	.X° ± **			

D	ECN-130255	07/01'14	楊海文
REV.	DESCRIPTION	DATE	APPD