

NEXTRON PART NUMBER DESCRIPTION

Z-8242610000X0X

LIGHT PIPE OPTION

- 0=WITHOUT LIGHT PIPE
- 1=WITH INNER & OUTER LIGHT PIPE
- 2=WITH INNER LIGHT PIPE
- 3=WITH OUTER LIGHT PIPE

LOGO OPTION

- 0=WITH NEXTRON LOGO
- 1=WITHOUT LOGO

NOTE:

1. MATERIAL:  
CAGE ASSEMBLY: COPPER ALLOY, 0.25mm THICKNESS.  
HOUSING: HIGH TEMPERATURE THERMOPLASTIC, UL94V-0, COLOR: BLACK.  
LIGHT PIPE: POLYCARBONATE, CLEAR.  
CONTACT: COPPER ALLOY, 0.20mm THICKNESS.
2. FINISH:  
TERMINALS: GOLD PLATED ON CONTACT AREA;  
MATTE TIN PLATED ON TAIL AREA.  
CAGE: NICKEL PLATED.
3. PC BOARD THICKNESS: 1.5mm MIN.
4. THIS PART MEETS THE RESTRICTION OF HAZARDOUS SUBSTANCES IN ELECTRICAL AND ELECTRONIC EQUIPMENT (ROHS) DIRECTIVE (2011/65/EU).

UNITS ■mm □INCH		NAME: SFP 2X6 ASS'Y, PRESS FIT, STANDARD		<b>nextron</b> NEXTRONICS ENGINEERING CORP.	
GENERAL TOLERANCES: (UNLESS SPECIFIED)		PART NO: Z-8242610000X0X		TITLE: CUSTOMER DWG.	
	mm	INCH	APPD: 楊海文 07/01'14	DWG NO: 010-0000-773	
4 PLACE	± **	±. **	CHKD: 楊海文 07/01'14	SCALE: SHEET: REV.: 3/2 1/4 D	
3 PLACE	± 0.10	±. **	DRAWN: 廖小瓊 07/01'14		
2 PLACE	± 0.20	±. **			
1 PLACE	± 0.25	±. **			
ANGULAR:	X° ± 1°	X° ± **			

D	ECN-130255	07/01'14	楊海文
REV.	DESCRIPTION	DATE	APPD

1 2 3 4 5 6 7 8

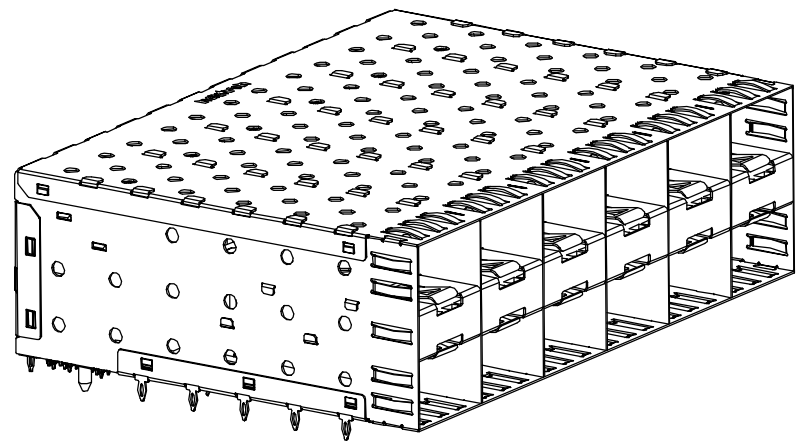
A

B

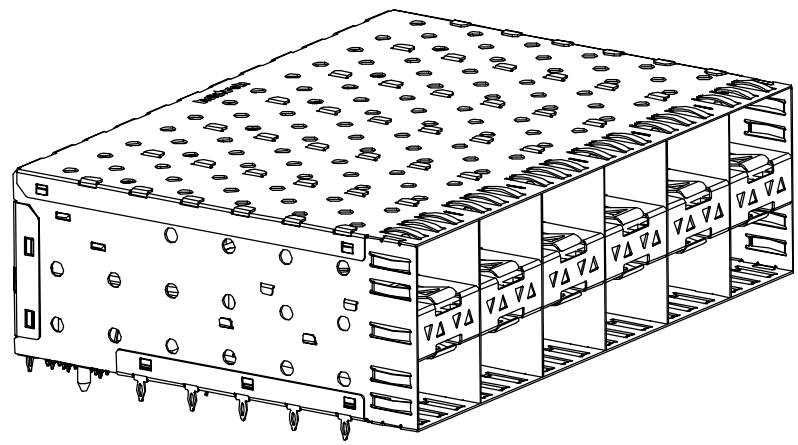
C

D

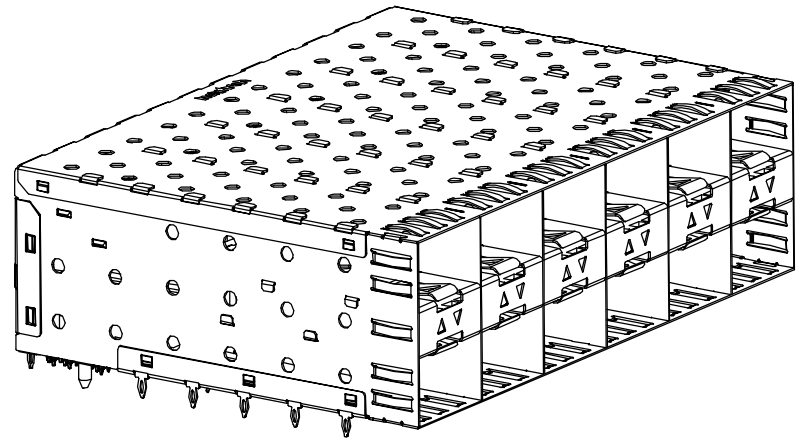
E



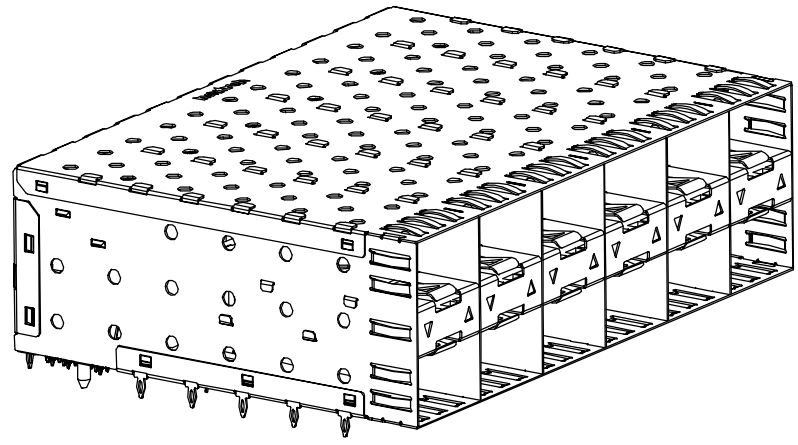
Z-824261000000X AS SHOWN  
WITHOUT LIGHT PIPE



Z-824261000010X AS SHOWN  
WITH INNER & OUTER LIGHT PIPES



Z-824261000020X AS SHOWN  
WITH INNER LIGHT PIPES



Z-824261000030X AS SHOWN  
WITH OUTER LIGHT PIPES


1 2 3 4 5 6 7 8

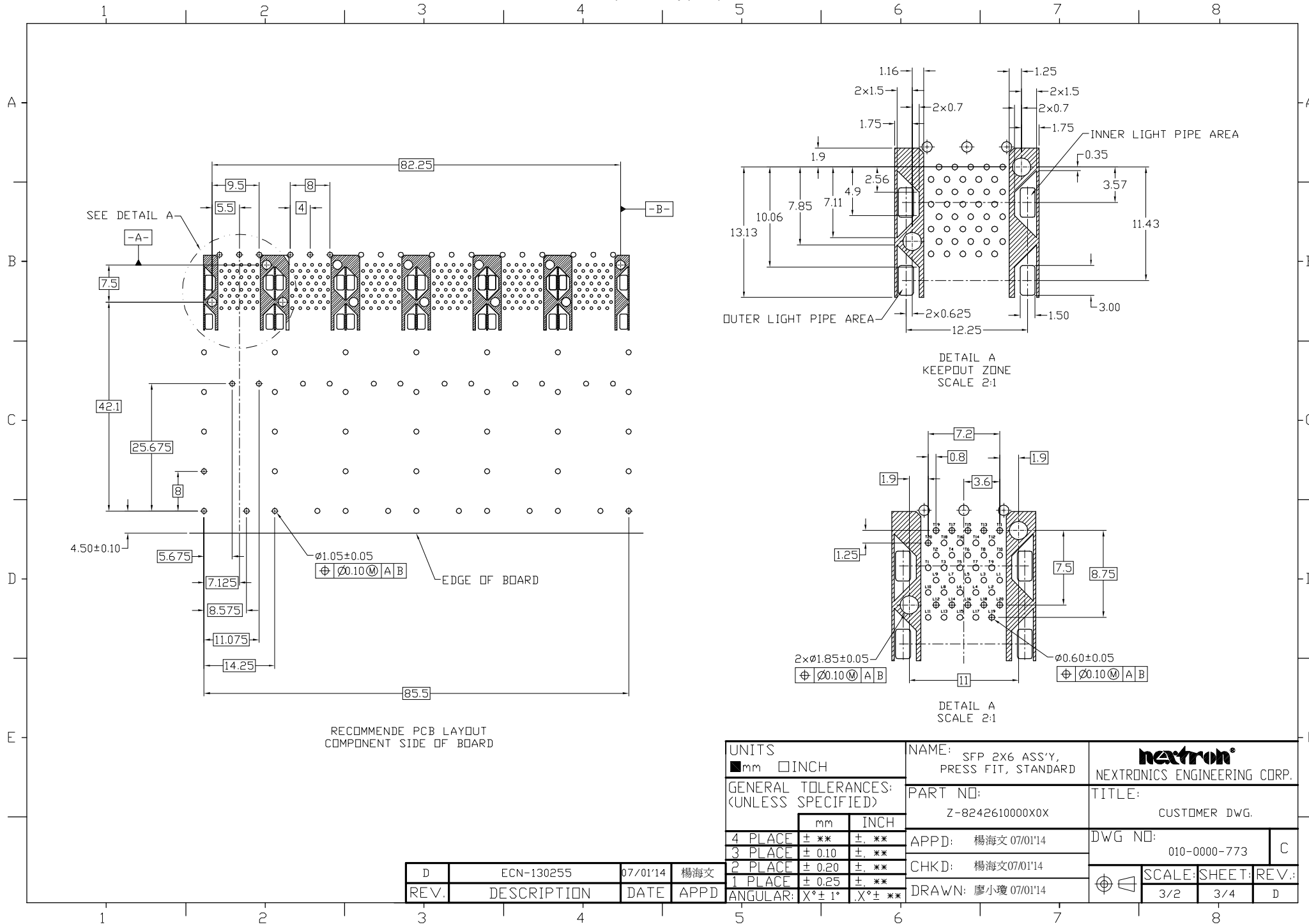
A1

D-PRD-034

UNITS <input checked="" type="checkbox"/> mm <input type="checkbox"/> INCH		NAME: SFP 2X6 ASS'Y, PRESS FIT, STANDARD		 NEXTRONICS ENGINEERING CORP.	
GENERAL TOLERANCES: (UNLESS SPECIFIED)		PART NO: Z-8242610000X0X			
		mm	INCH	APPD: 楊海文 07/01'14	DWG NO: 010-0000-773
4 PLACE	± **	± .**		CHKD: 楊海文 07/01'14	C
3 PLACE	± 0.10	± .**		DRAWN: 廖小瓊 07/01'14	
2 PLACE	± 0.20	± .**			
1 PLACE	± 0.25	± .**			
ANGULAR:	X° ± 1°	.X° ± **			

D	ECN-130255	07/01'14	楊海文
REV.	DESCRIPTION	DATE	APPD

	SCALE: 3/2	SHEET: 2/4	REV.: D
---	------------	------------	---------



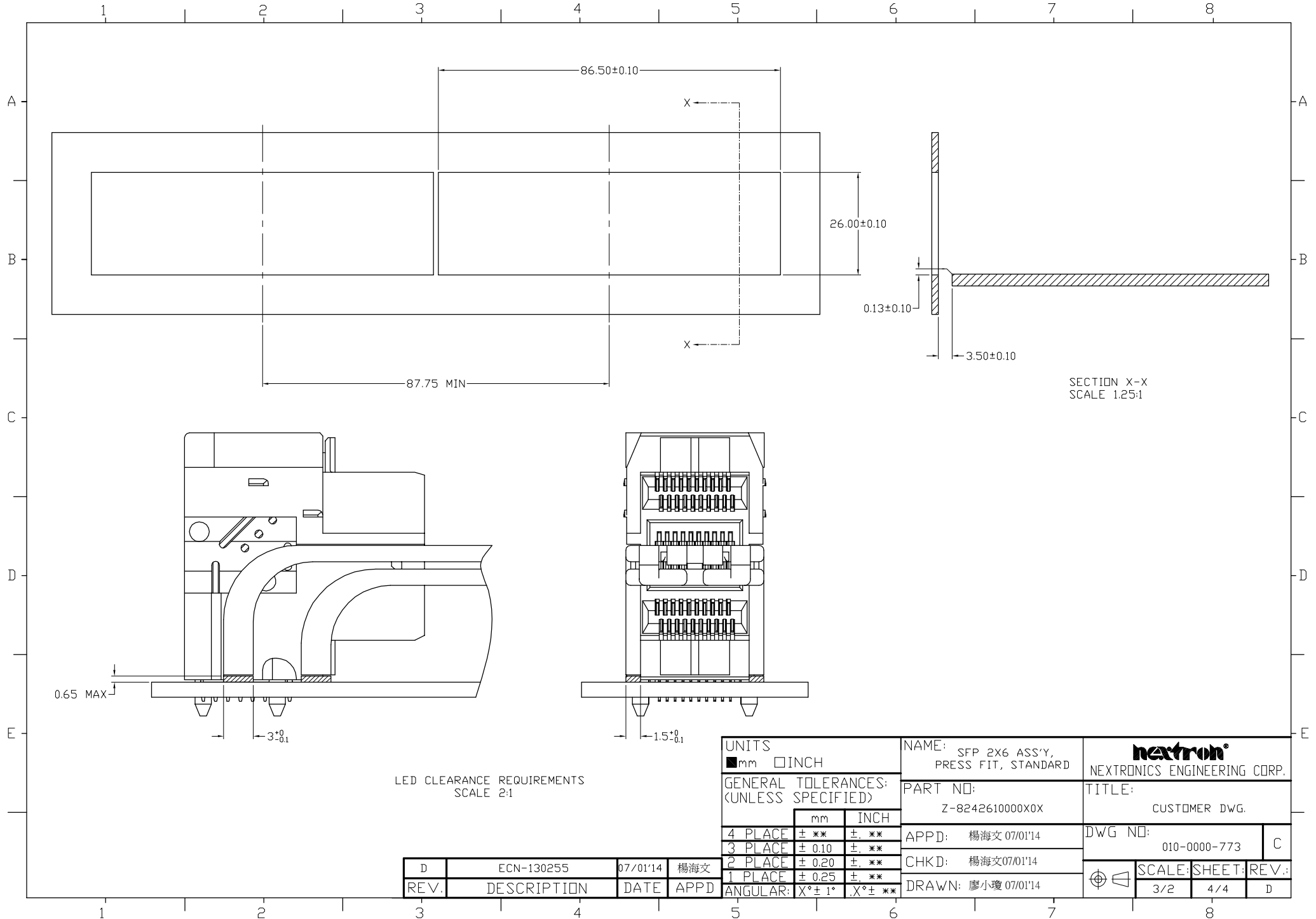
RECOMMENDED PCB LAYOUT  
COMPONENT SIDE OF BOARD

DETAIL A  
KEEPOUT ZONE  
SCALE 2:1

DETAIL A  
SCALE 2:1

UNITS ■mm □INCH		NAME: SFP 2X6 ASS'Y, PRESS FIT, STANDARD		 NEXTRONICS ENGINEERING CORP.	
GENERAL TOLERANCES: (UNLESS SPECIFIED)		PART NO: Z-8242610000X0X			
	mm	INCH	APPD: 楊海文 07/01'14	DWG NO: 010-0000-773	
4 PLACE	± **	±. **	CHKD: 楊海文 07/01'14	C	
3 PLACE	± 0.10	±. **	DRAWN: 廖小瓊 07/01'14	SCALE: SHEET: REV.:	
2 PLACE	± 0.20	±. **		3/2	3/4
1 PLACE	± 0.25	±. **			
ANGULAR:	X° ± 1°	X° ± **			

D	ECN-130255	07/01'14	楊海文
REV.	DESCRIPTION	DATE	APPD



SECTION X-X  
SCALE 1.25:1

LED CLEARANCE REQUIREMENTS  
SCALE 2:1

UNITS		NAME: SFP 2X6 ASS'Y, PRESS FIT, STANDARD	
■mm □INCH		PART NO: Z-8242610000X0X	
GENERAL TOLERANCES: (UNLESS SPECIFIED)		APPD: 楊海文 07/01'14	
	mm	INCH	CHKD: 楊海文 07/01'14
4 PLACE	± **.05	± **.002	DRAWN: 廖小瓊 07/01'14
3 PLACE	± 0.10	± **.005	
2 PLACE	± 0.20	± **.010	
1 PLACE	± 0.25	± **.015	
ANGULAR:	X° ± 1°	X° ± **.05	

TITLE: CUSTOMER DWG.	
DWG NO: 010-0000-773	
SCALE: 3/2	SHEET: 4/4
REV.:	D

D	ECN-130255	07/01'14	楊海文
REV.	DESCRIPTION	DATE	APPD