

NEXTRON PART NUMBER DESCRIPTION

Z-8242610000X3X

NOTE:

- MATERIAL:  
 CAGE ASSEMBLY: COPPER ALLOY, 0.25mm THICKNESS.  
 HOUSING: HIGH TEMPERATURE THERMOPLASTIC, UL94V-0, COLOR: BLACK.  
 INSERTMOLD: HIGH TEMPERATURE THERMOPLASTIC, UL94V-0, COLOR: BLACK.  
 LIGHT PIPE: POLYCARBONATE, CLEAR.  
 CONTACT: COPPER ALLOY, 0.20mm THICKNESS.
- FINISH:  
 CONTACT: GOLD PLATED ON CONTACT AREA;  
 MATTE TIN PLATED ON TAIL AREA.  
 CAGE: NICKEL PLATED.
- PC BOARD THICKNESS: 1.5mm MIN.
- THIS PART MEETS THE RESTRICTION OF HAZARDOUS SUBSTANCES IN ELECTRICAL AND ELECTRONIC EQUIPMENT (ROHS) DIRECTIVE (2011/65/EU).

LIGHT PIPE OPTION

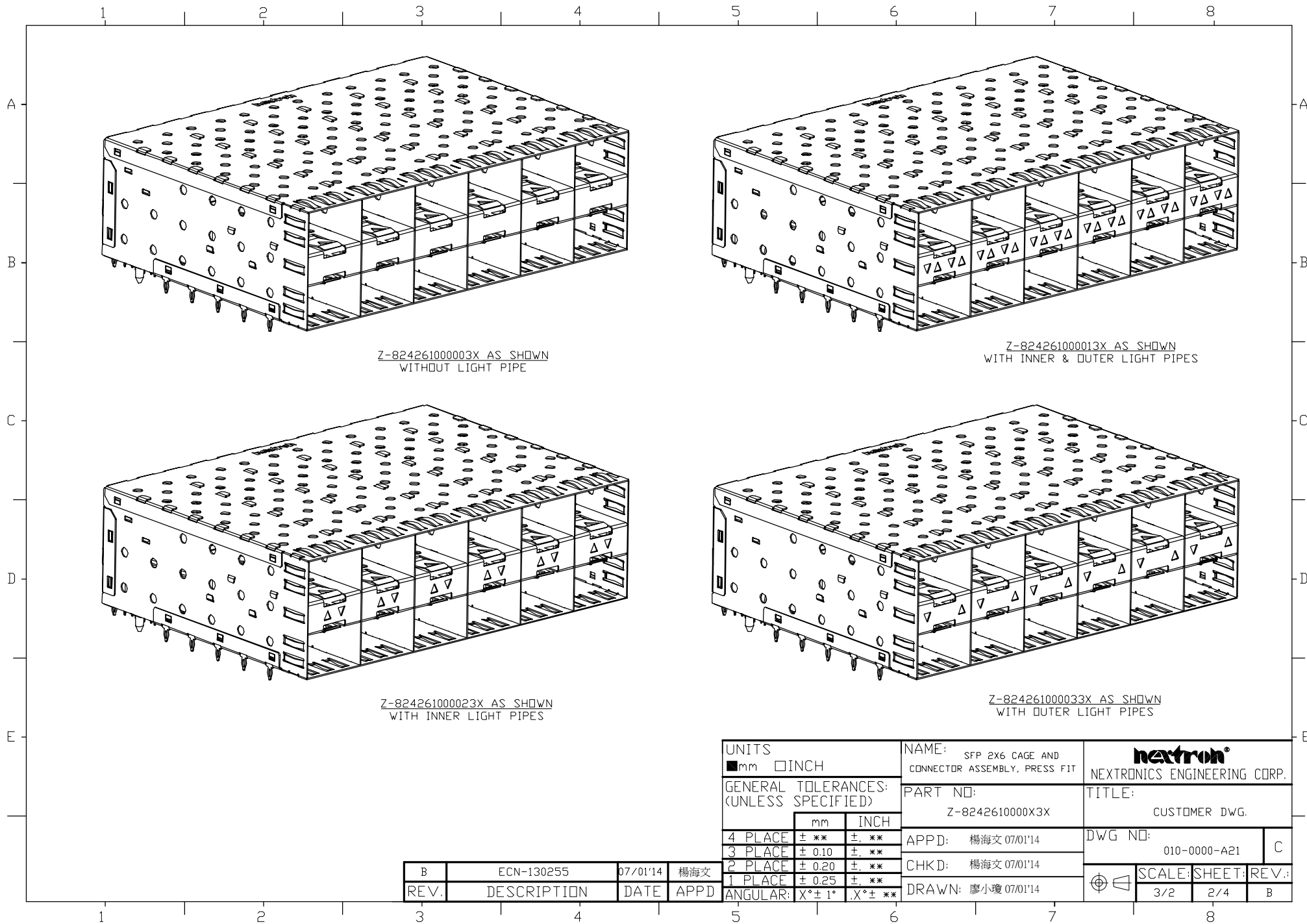
- 0=WITHOUT LIGHT PIPE
- 1=WITH INNER & OUTER LIGHT PIPE
- 2=WITH INNER LIGHT PIPE
- 3=WITH OUTER LIGHT PIPE

LOGO OPTION

- 0=WITH NEXTRON LOGO
- 1=WITHOUT LOGO

UNITS <input checked="" type="checkbox"/> mm <input type="checkbox"/> INCH		NAME: SFP 2X6 CAGE AND CONNECTOR ASSEMBLY, PRESS FIT		<b>nextron</b> NEXTRONICS ENGINEERING CORP.	
GENERAL TOLERANCES: (UNLESS SPECIFIED)		PART NO: Z-8242610000X3X		TITLE: CUSTOMER DWG.	
	mm	INCH	APPD: 楊海文 07/01'14	DWG NO: 010-0000-A21	
4 PLACE	± **.	± **.	CHKD: 楊海文 07/01'14	SCALE: SHEET: REV.: 3/2 1/4 B	
3 PLACE	± 0.10	± **.	DRAWN: 廖小瓊 07/01'14		
2 PLACE	± 0.20	± **.			
1 PLACE	± 0.25	± **.			
ANGULAR:	X° ± 1°	.X° ± **.			

B	ECN-130255	07/01'14	楊海文
REV.	DESCRIPTION	DATE	APPD



Z-824261000003X AS SHOWN  
WITHOUT LIGHT PIPE

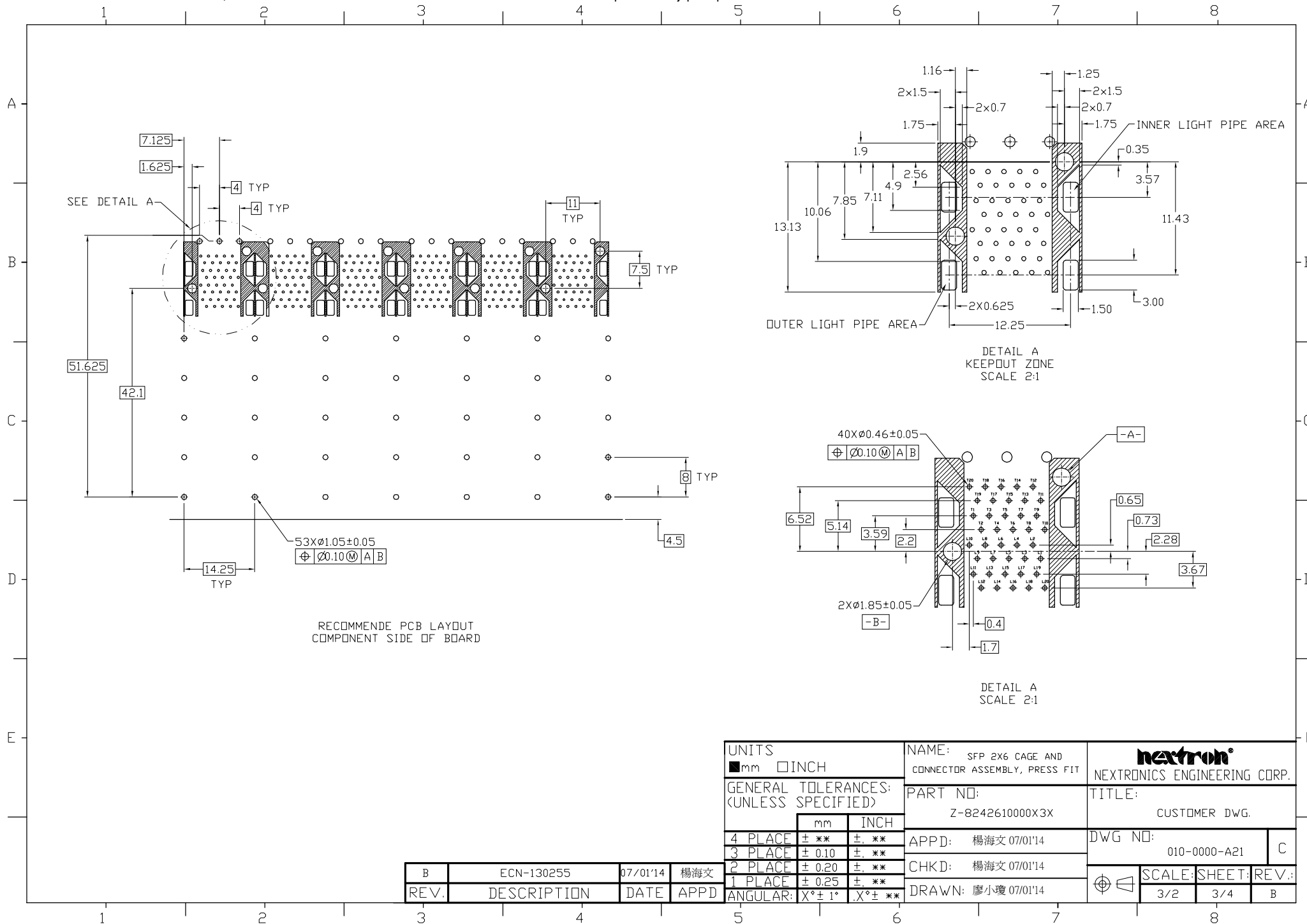
Z-824261000013X AS SHOWN  
WITH INNER & OUTER LIGHT PIPES

Z-824261000023X AS SHOWN  
WITH INNER LIGHT PIPES

Z-824261000033X AS SHOWN  
WITH OUTER LIGHT PIPES

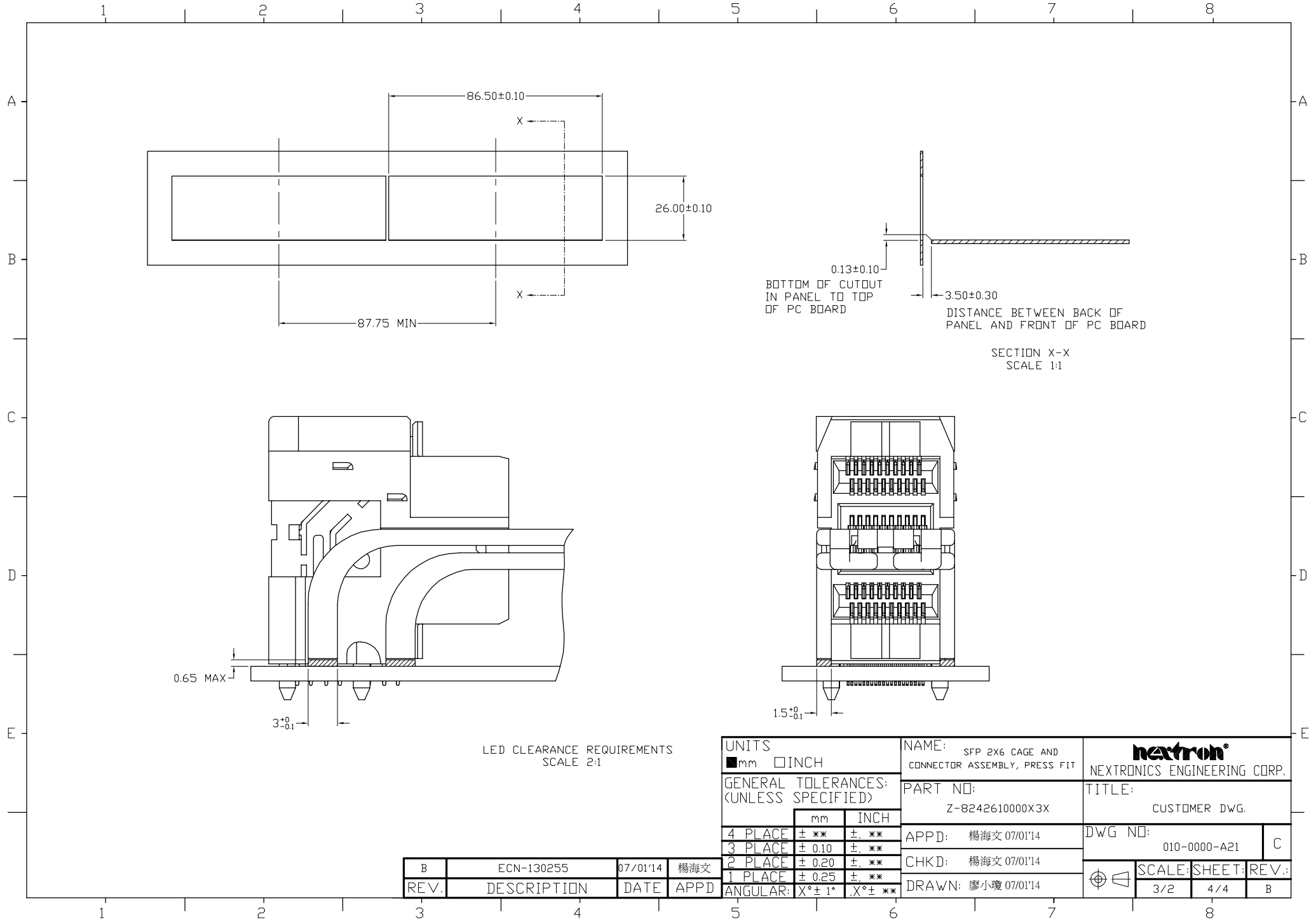
UNITS <input checked="" type="checkbox"/> mm <input type="checkbox"/> INCH		NAME: SFP 2X6 CAGE AND CONNECTOR ASSEMBLY, PRESS FIT		 NEXTRONICS ENGINEERING CORP. TITLE: CUSTOMER DWG.	
GENERAL TOLERANCES: (UNLESS SPECIFIED)		PART NO: Z-8242610000X3X			
	mm	INCH	APPD: 楊海文 07/01'14	C	
4 PLACE	± **.05	± **.002	CHKD: 楊海文 07/01'14	SCALE: 3/2	
3 PLACE	± 0.10	± **.005	DRAWN: 廖小瓊 07/01'14	SHEET: 2/4	
2 PLACE	± 0.20	± **.010		REV.: B	
1 PLACE	± 0.25	± **.015			
ANGULAR:	X° ± 1°	.X° ± **.05			

B	ECN-130255	07/01'14	楊海文
REV.	DESCRIPTION	DATE	APPD



UNITS ■mm □INCH		NAME: SFP 2X6 CAGE AND CONNECTOR ASSEMBLY, PRESS FIT		nexttron® NEXTRONICS ENGINEERING CORP.	
GENERAL TOLERANCES: (UNLESS SPECIFIED)		PART NO: Z-8242610000X3X		TITLE: CUSTOMER DWG.	
	mm	INCH	APPD: 楊海文 07/01'14	DWG NO: 010-0000-A21	
4 PLACE	± **.	± **.	CHKD: 楊海文 07/01'14	C	
3 PLACE	± 0.10	± **.	DRAWN: 廖小瓊 07/01'14	SCALE: SHEET: REV.: 3/2 3/4 B	
2 PLACE	± 0.20	± **.			
1 PLACE	± 0.25	± **.			
ANGULAR:	X° ± 1°	X° ± **.			

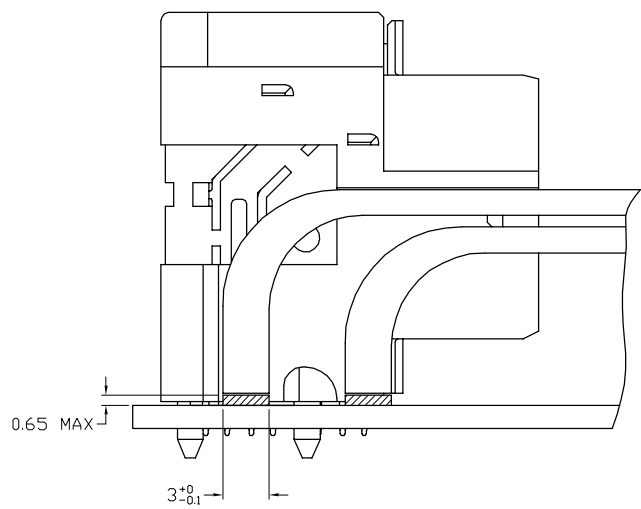
B	ECN-130255	07/01'14	楊海文
REV.	DESCRIPTION	DATE	APPD



0.13±0.10  
 BOTTOM OF CUTOUT  
 IN PANEL TO TOP  
 OF PC BOARD

3.50±0.30  
 DISTANCE BETWEEN BACK OF  
 PANEL AND FRONT OF PC BOARD

SECTION X-X  
 SCALE 1:1



LED CLEARANCE REQUIREMENTS  
 SCALE 2:1

UNITS <input checked="" type="checkbox"/> mm <input type="checkbox"/> INCH		NAME: SFP 2X6 CAGE AND CONNECTOR ASSEMBLY, PRESS FIT		 NEXTRONICS ENGINEERING CORP.	
GENERAL TOLERANCES: (UNLESS SPECIFIED)		PART NO: Z-8242610000X3X			
		mm	INCH	APPD: 楊海文 07/01'14	DWG NO: 010-0000-A21
4 PLACE	± **	± .**	± .**	CHKD: 楊海文 07/01'14	C
3 PLACE	± 0.10	± .**	± .**	DRAWN: 廖小瓊 07/01'14	
2 PLACE	± 0.20	± .**	± .**		
1 PLACE	± 0.25	± .**	± .**		
ANGULAR:	X° ± 1°	X° ± **	X° ± **		
REV.	DESCRIPTION	DATE	APPD	SCALE: 3/2	SHEET: 4/4
					REV.: B

B	ECN-130255	07/01'14	楊海文
REV.	DESCRIPTION	DATE	APPD