

UNITS ■ mm □ INCH		NAME: SFP+ 1X1 CAGE ASSY,PRESS FIT WITH ELASTOMERIC GASKET		NEXTRONICS ENGINEERING CORP.	
GENERAL TOLERANCES: (UNLESS SPECIFIED)		PART NO: Z-828111000002*		TITLE: CUSTOMER DWG.	
		mm	INCH	APPD: 楊海文 03/18'14	DWG NO: 010-0000-671
4 PLACE	± **	± **.**	± **.**	CHKD: 廖小瓊 03/18'14	C
3 PLACE	± 0.10	± **.00	± **.00	DRAWN: 張 凱 03/18'14	
2 PLACE	± 0.20	± **.00	± **.00		
1 PLACE	± 0.25	± **.00	± **.00		
ANGULAR:	X° ± 0.5°	X° ± **.00	X° ± **.00		

C	ECN-130255	03/18'14	楊海文
REV.	DESCRIPTION	DATE	APPD

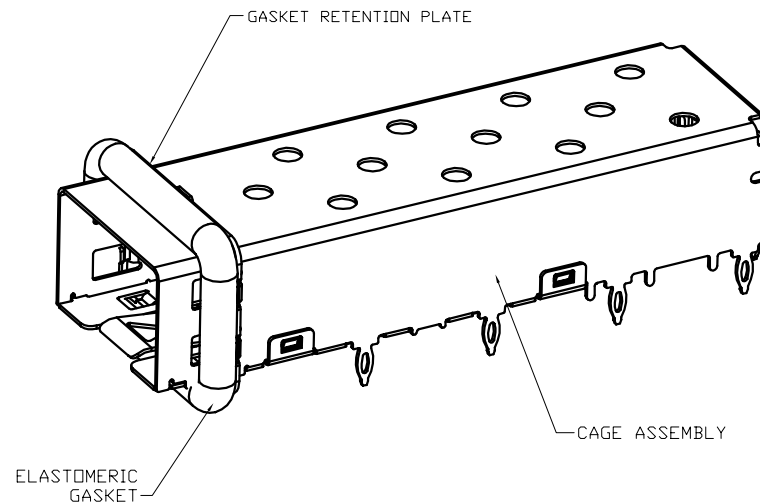
NOTE:

1. MATERIAL:
CAGE ASSEMBLY: COPPER ALLOY.
GASKET RETENTION PLATE: COPPER ALLOY.
ELASTOMERIC GASKET: PLATED FILLED SILICONE.
2. FINISH:
CAGE ASSEMBLY: NICKEL PLATED.
3. MATES WITH SFP MSA COMPLIANT TRANSCEIVERS.
4. MINIMUM PC BOARD THICKNESS:
SINGLE SIDED = 1.50mm
5. THIS PART MEETS THE RESTRICTION OF HAZARDOUS SUBSTANCES IN ELECTRICAL AND ELECTRONIC EQUIPMENT (ROHS) DIRECTIVE (2011/65/EU).

PART NUMBER:

Z-8 2 8 1 1 1 0 0 0 0 2 *

PRODUCT LOGO TYPE:
0=WITH NEXTRON LOGO
1=WITHOUT LOGO



Z-8281110000020 AS SHOWN
SCALE 1:1

UNITS ■mm □INCH		NAME: SFP+ 1X1 CAGE ASSY,PRESS FIT WITH ELASTOMERIC GASKET		 NEXTRONICS ENGINEERING CORP.	
GENERAL TOLERANCES: (UNLESS SPECIFIED)		PART NO: Z-828111000002*		TITLE: CUSTOMER DWG.	
	mm	INCH	APPD: 楊海文 03/18'14	DWG NO: 010-0000-671	
4 PLACE	± **	± **.**	CHKD: 廖小瓊 03/18'14	C	
3 PLACE	± 0.10	± **.**	DRAWN: 張 凱 03/18'14	SCALE: SHEET: REV.:	
2 PLACE	± 0.20	± **.**		2 / 1	3 / 3
1 PLACE	± 0.25	± **.**			C
ANGULAR:	X° ± 0.5°	X° ± **.**			

C	ECN-130255	03/18'14	楊海文
REV.	DESCRIPTION	DATE	APPD