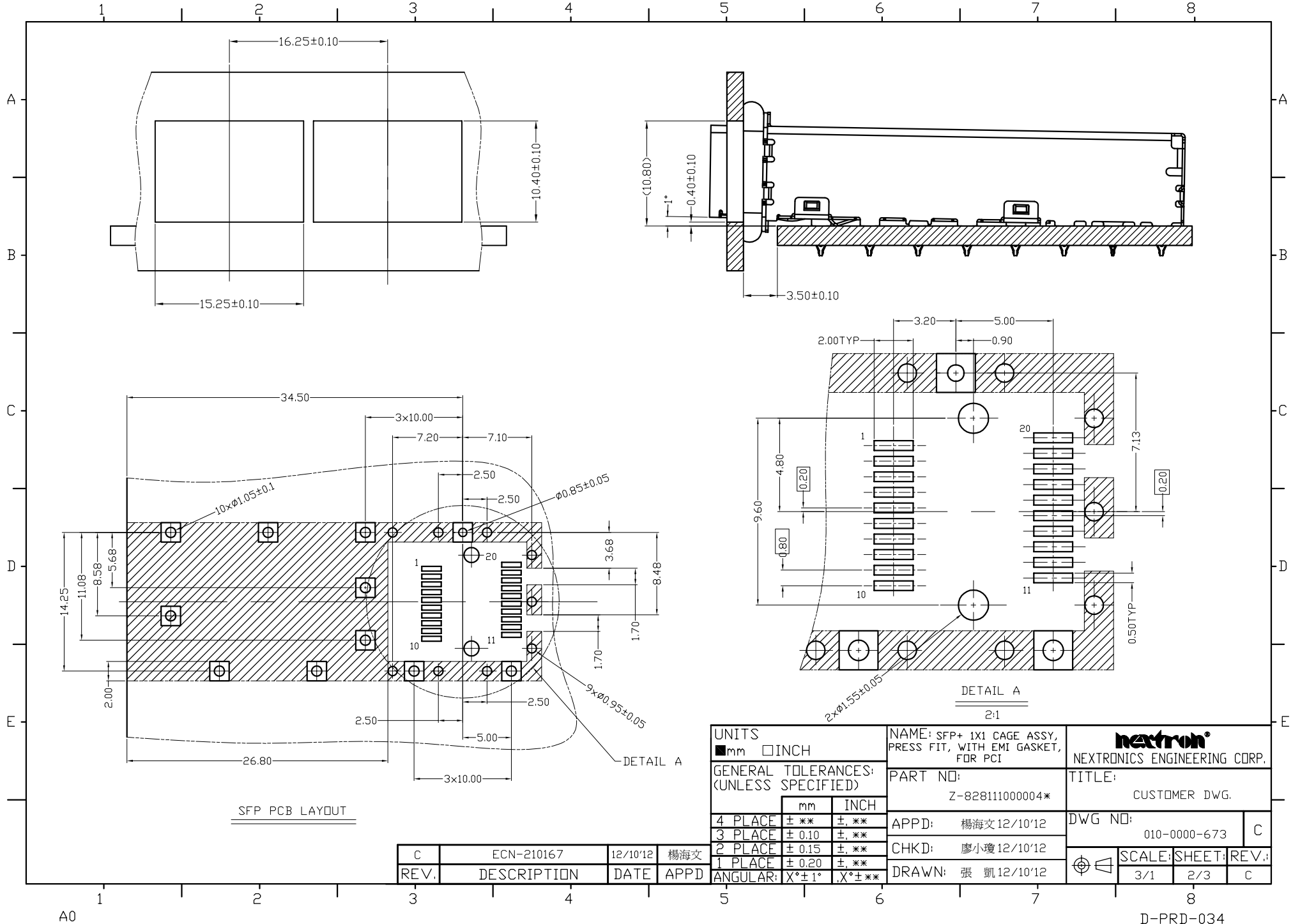


UNITS ■ mm □ INCH		NAME: SFP+ 1X1 CAGE ASSY, PRESS FIT, WITH EMI GASKET, FOR PCI		NEXTRONICS ENGINEERING CORP. TITLE: CUSTOMER DWG.	
GENERAL TOLERANCES: (UNLESS SPECIFIED)		PART NO: Z-828111000004*			
		mm	INCH	APPD: 楊海文 12/10'12	C
4 PLACE	± **	± **.**		CHKD: 廖小瓊 12/10'12	
3 PLACE	± 0.10	± **.00		DRAWN: 張凱 12/10'12	
2 PLACE	± 0.15	± **.00		SCALE: 3/1	
1 PLACE	± 0.20	± **.00		SHEET: 1/3	
ANGULAR:	X° ± 1°	X° ± **.00		REV.: C	

C	ECN-210167	12/10'12	楊海文
REV.	DESCRIPTION	DATE	APPD



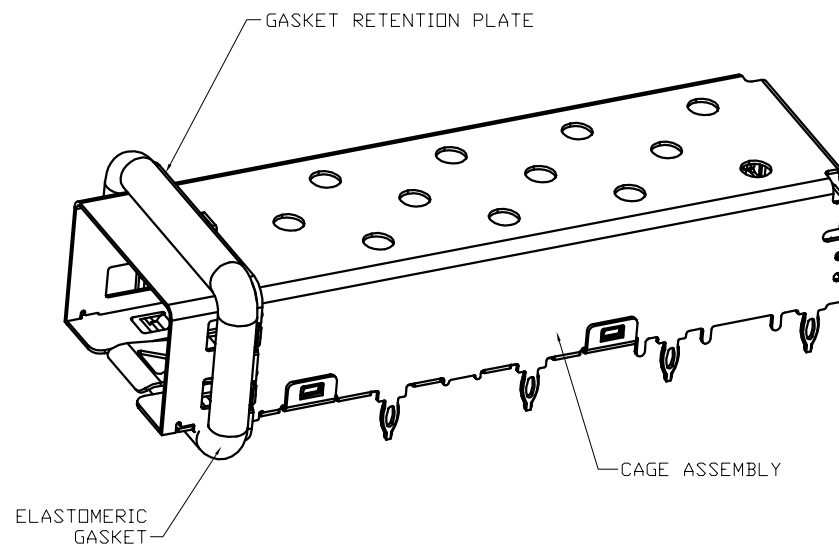
NOTE:

1. MATERIAL:
CAGE ASSEMBLY: COPPER ALLOY.
EMI SPRINGS: COPPER ALLOY.
2. FINISH:
CAGE ASSEMBLY: NON-PLATED.
EMI SPRINGS: PLATING NICKEL.
3. MATES WITH SFP MSA COMPLIANT TRANSCEIVERS.
4. MINIMUM PC BOARD THICKNESS:
SINGLE SIDED = 1.50mm
5. THIS PART MEETS THE RESTRICTION OF HAZARDOUS SUBSTANCES IN ELECTRICAL AND ELECTRONIC EQUIPMENT (ROHS) DIRECTIVE (2002/95/EC).


PART NUMBER:

Z-8 2 8 1 1 1 0 0 0 0 4 *

PRODUCT LOGO TYPE:
0=WITH NEXTRON LOGO
1=WITHOUT LOGO



Z-828111000004* AS SHOWN
SCALE 1:1

UNITS ■mm □INCH		NAME: SFP+ 1X1 CAGE ASSY, PRESS FIT, WITH EMI GASKET, FOR PCI		 NEXTRONICS ENGINEERING CORP.	
GENERAL TOLERANCES: (UNLESS SPECIFIED)		PART NO: Z-828111000004*			
	mm	INCH		APPD: 楊海文 12/10/12	DWG NO: 010-0000-673
4 PLACE	±**	±.**		CHKD: 廖小瓊 12/10/12	SCALE: 3/1 SHEET: 3/3 REV.: C
3 PLACE	±0.10	±.**		DRAWN: 張凱 12/10/12	
2 PLACE	±0.15	±.**			
1 PLACE	±0.20	±.**			
ANGULAR:	X°±1°	X°±**			

C	ECN-210167	12/12/12	楊海文
REV.	DESCRIPTION	DATE	APPD