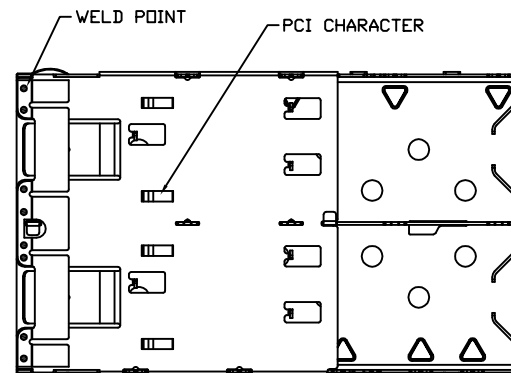
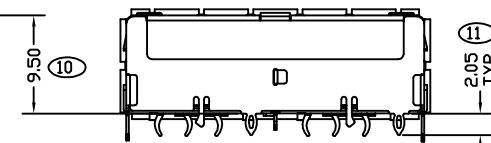
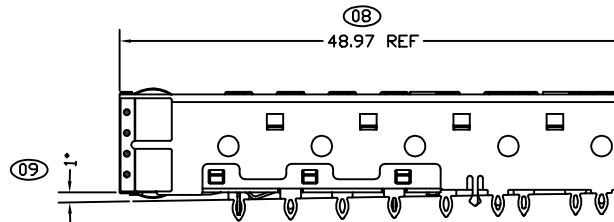
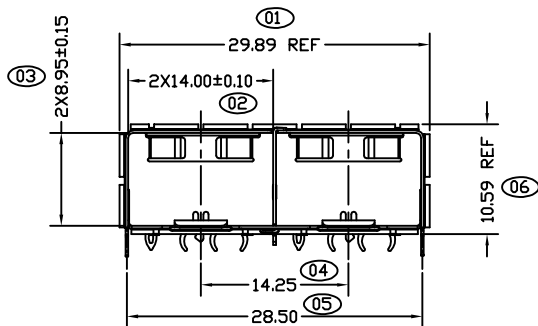


Z-828121000003* AS SHOWN
SCALE 1:1



NOTE:

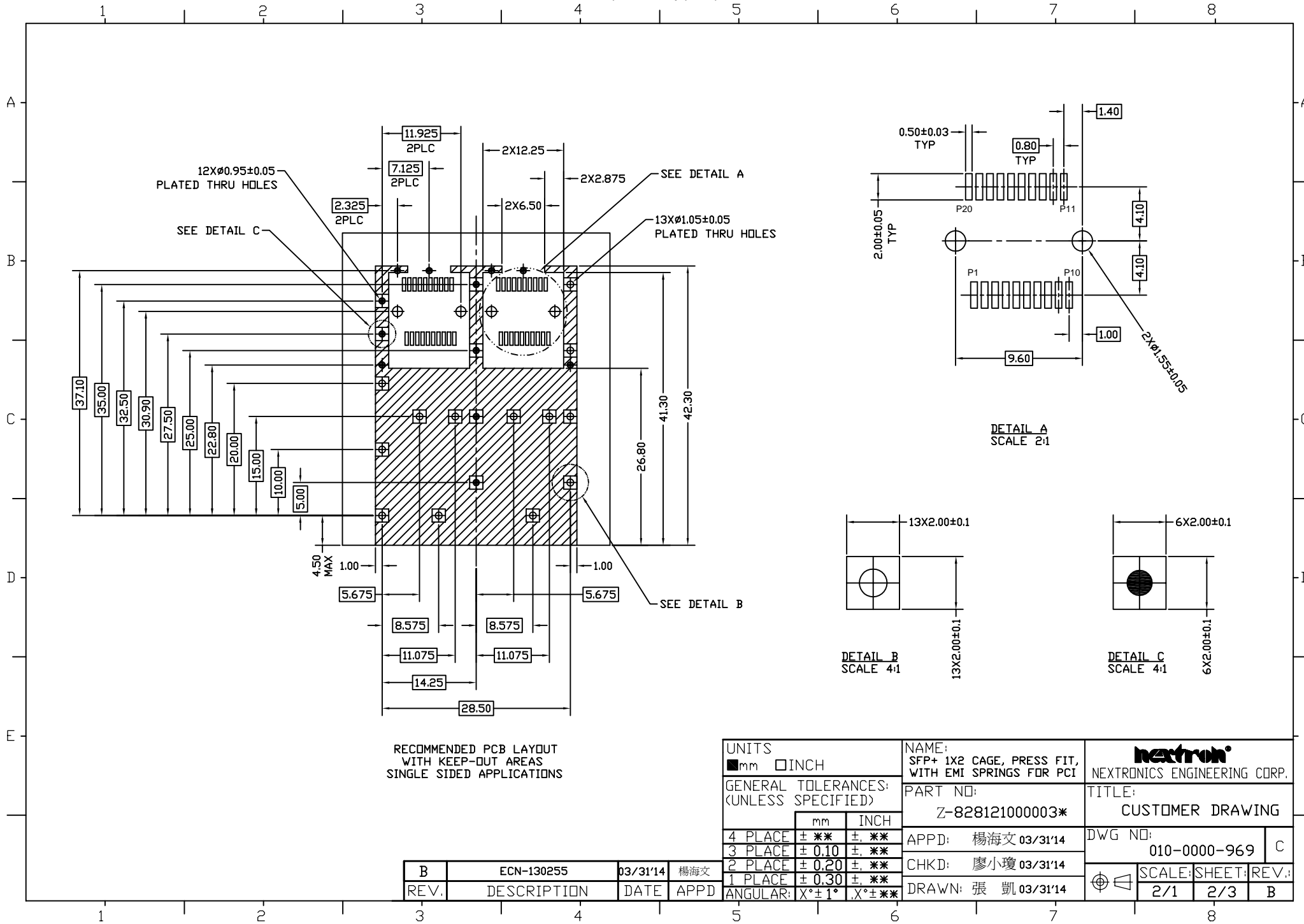
1. MATERIAL:
CAGE ASSEMBLY: COPPER ALLOY.
EMI SPRINGS: COPPER ALLOY.
2. FINISH:
CAGE ASSEMBLY: NICKEL PLATED.
EMI SPRINGS: NICKEL PLATED.
3. MATES WITH SFP MSA COMPLIANT TRANSCEIVERS.
4. MINIMUM PC BOARD THICKNESS:
SINGLE SIDED = 1.50mm
5. THIS PART MEETS THE RESTRICTION OF HAZARDOUS SUBSTANCES IN ELECTRICAL AND ELECTRONIC EQUIPMENT (ROHS) DIRECTIVE (2011/65/EU).

Z-828121000003X

LOGO OPTIONS:
0=WITH NEXTRON LOGO
1=WITHOUT LOGO

UNITS ■mm □INCH		NAME: SFP+ 1X2 CAGE, PRESS FIT, WITH EMI SPRINGS FOR PCI		 NEXTRONICS ENGINEERING CORP.	
GENERAL TOLERANCES: (UNLESS SPECIFIED)		PART NO: Z-828121000003*			
	mm	INCH	APPD: 楊海文 03/31'14	DWG NO: 010-0000-969 C	
4 PLACE	±.***	±.***	CHKD: 廖小瓊 03/31'14	SCALE: SHEET: REV.: 2/1 1/3 B	
3 PLACE	±0.10	±.***	DRAWN: 張凱 03/31'14		
2 PLACE	±0.20	±.***			
1 PLACE	±0.30	±.***			
ANGULAR:	X°±1°	X°±**			

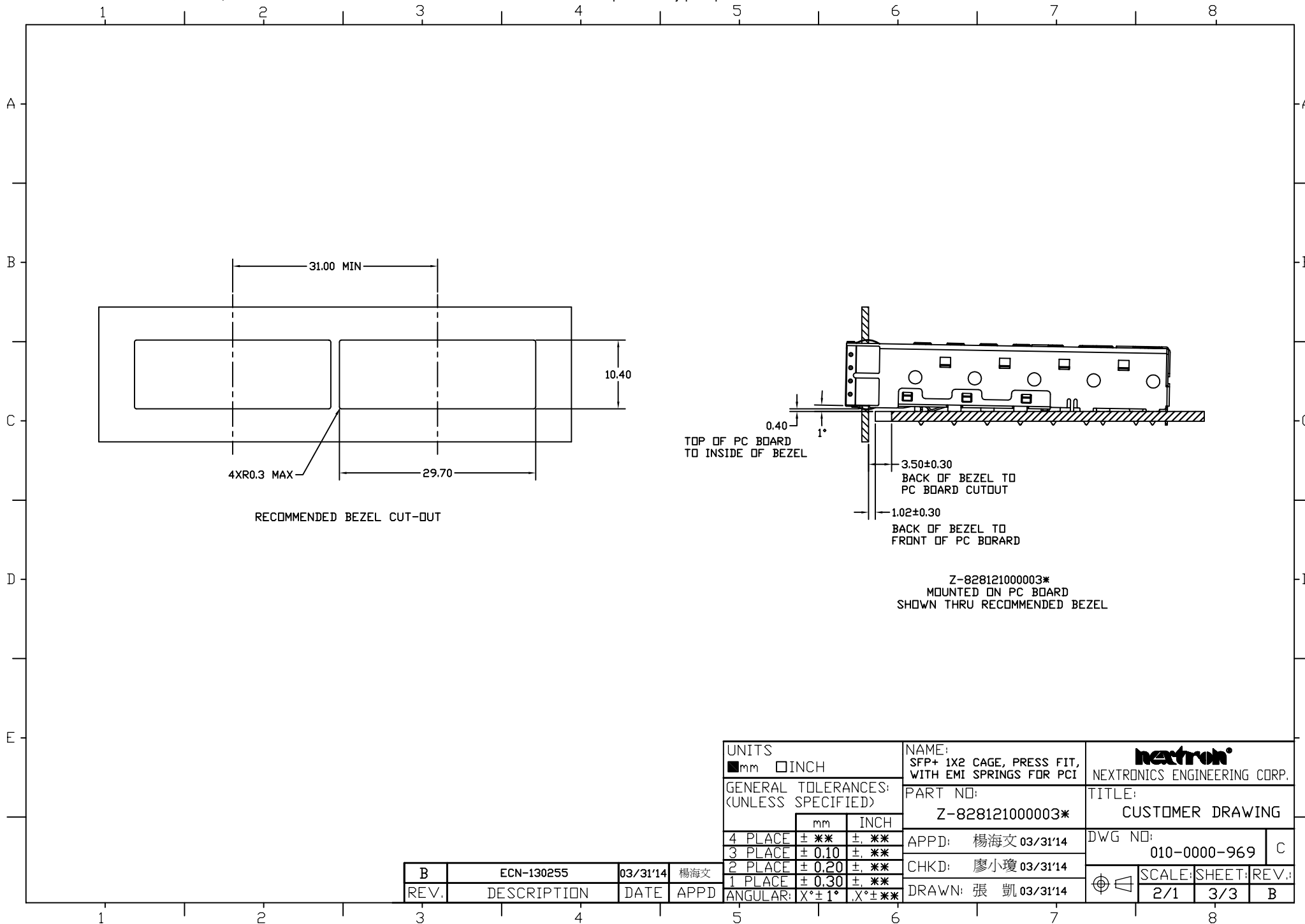
B	ECN-130255	03/31'14	楊海文
REV.	DESCRIPTION	DATE	APPD



RECOMMENDED PCB LAYOUT
WITH KEEP-OUT AREAS
SINGLE SIDED APPLICATIONS

UNITS ■mm □INCH		NAME: SFP+ 1X2 CAGE, PRESS FIT, WITH EMI SPRINGS FOR PCI		nextron NEXTRONICS ENGINEERING CORP.	
GENERAL TOLERANCES: (UNLESS SPECIFIED)		PART NO: Z-828121000003*		TITLE: CUSTOMER DRAWING	
	mm	INCH	APPD: 楊海文 03/31'14	DWG NO: 010-0000-969 C	
4 PLACE	± **	± **	CHKD: 廖小瓊 03/31'14	SCALE: SHEET: REV.: 2/1 2/3 B	
3 PLACE	± 0.10	± **	DRAWN: 張 凱 03/31'14		
2 PLACE	± 0.20	± **			
1 PLACE	± 0.30	± **			
ANGULAR:	X° ± 1°	X° ± **			

B	ECN-130255	03/31'14	楊海文
REV.	DESCRIPTION	DATE	APPD



UNITS ■mm □INCH		NAME: SFP+ 1X2 CAGE, PRESS FIT, WITH EMI SPRINGS FOR PCI		 NEXTRONICS ENGINEERING CORP.	
GENERAL TOLERANCES: (UNLESS SPECIFIED)		PART NO: Z-828121000003*			
	mm	INCH	APPD: 楊海文 03/31'14		DWG NO: 010-0000-969 C
4 PLACE	± **	±. **	CHKD: 廖小瓊 03/31'14		
3 PLACE	± 0.10	±. **	DRAWN: 張 凱 03/31'14		SCALE: SHEET: REV.: 2/1 3/3 B
2 PLACE	± 0.20	±. **			
1 PLACE	± 0.30	±. **			
ANGULAR:	X° ± 1°	X° ± **			

B	ECN-130255	03/31'14	楊海文
REV.	DESCRIPTION	DATE	APPD