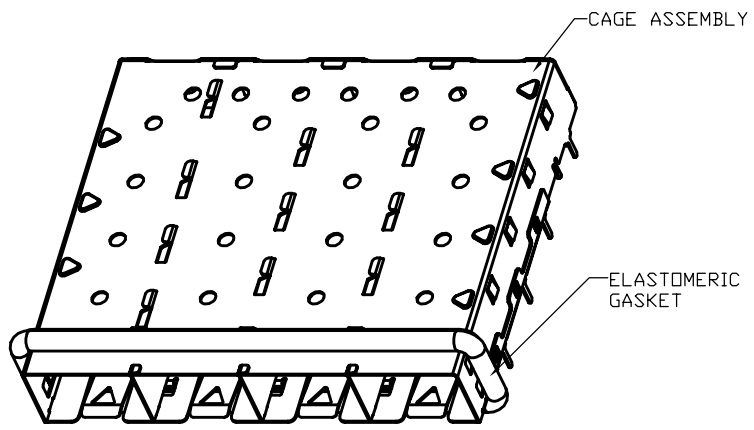
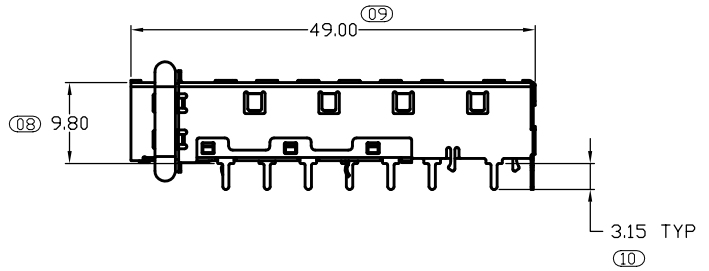
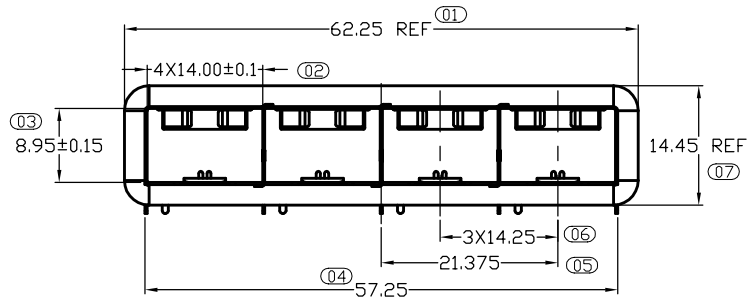
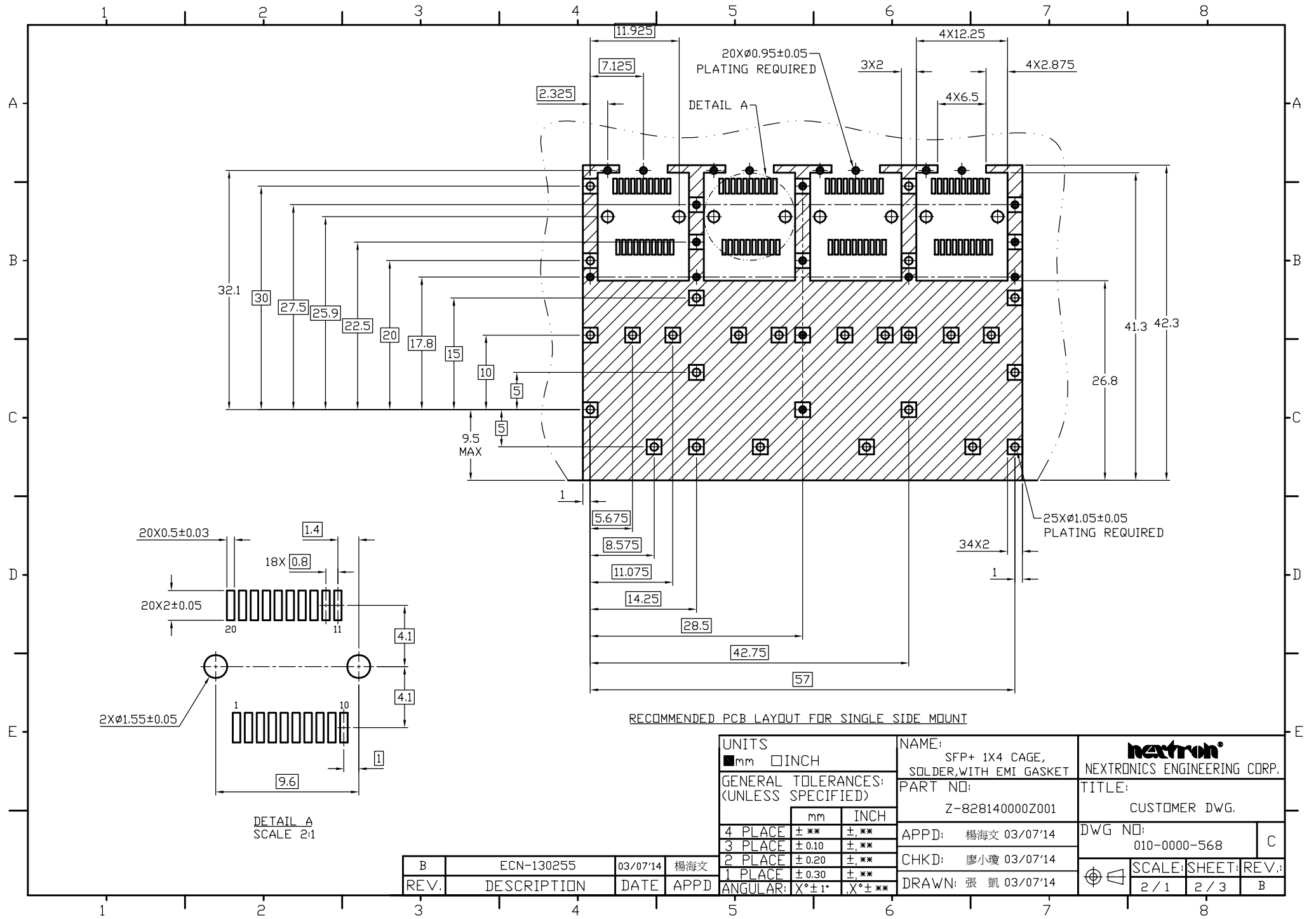


- NOTE:
- MATERIAL:  
CAGE ASSEMBLY: COPPER ALLOY.  
ELASTOMERIC GASKET: PLATED FILLED SILICONE.
  - FINISH:  
CAGE ASSEMBLY: NICKEL PLATED.
  - MATES WITH SFP MSA COMPLIANT TRANSCEIVERS.
  - MINIMUM PC BOARD THICKNESS:  
SINGLE SIDED = 1.50mm
  - THIS PART MEETS THE RESTRICTION OF HAZARDOUS SUBSTANCES IN ELECTRICAL AND ELECTRONIC EQUIPMENT (ROHS) DIRECTIVE (2011/65/EU).



UNITS ■mm □INCH		NAME: SFP+ 1X4 CAGE, SOLDER, WITH EMI GASKET		NEXTRONICS ENGINEERING CORP.	
GENERAL TOLERANCES: (UNLESS SPECIFIED)		PART NO: Z-828140000Z001		TITLE: CUSTOMER DWG.	
	mm	INCH	APPD: 楊海文 03/07'14		DWG NO: 010-0000-568
4 PLACE	±**	±,**	CHKD: 廖小瓊 03/07'14		C
3 PLACE	±0.10	±,**	DRAWN: 張凱 03/07'14		
2 PLACE	±0.20	±,**	SCALE: 2/1		SHEET: 1/3
1 PLACE	±0.30	±,**	REV.:		B
ANGULAR:	X°±1°	X°±**			

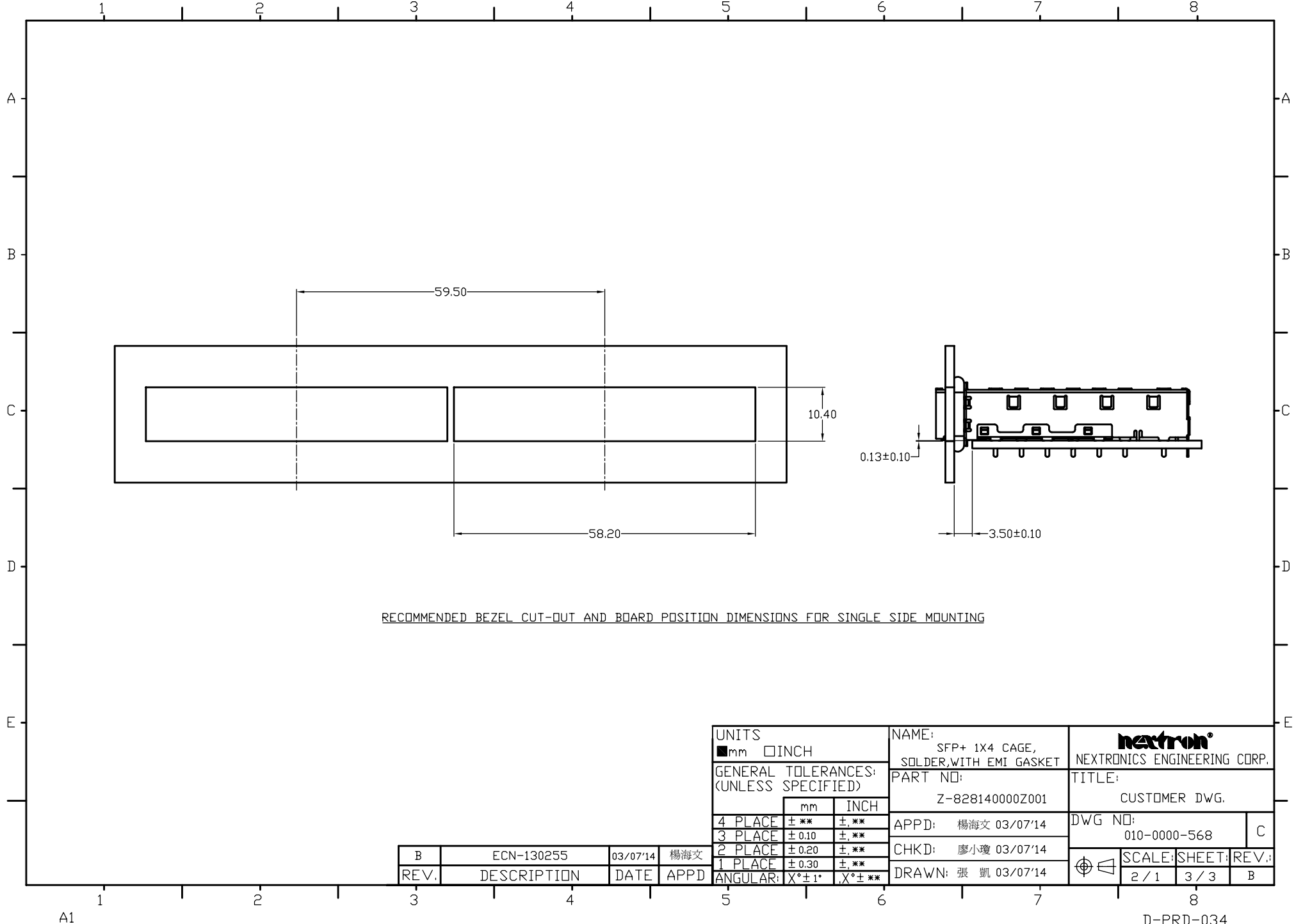
B	ECN-130255	03/07'14	楊海文
REV.	DESCRIPTION	DATE	APPD



UNITS		NAME:	
<input checked="" type="checkbox"/> mm	<input type="checkbox"/> INCH	SFP+ 1X4 CAGE, SOLDER, WITH EMI GASKET	
GENERAL TOLERANCES: (UNLESS SPECIFIED)		PART NO:	
		Z-828140000Z001	
4 PLACE	$\pm$ 0.10	APPD:	楊海文 03/07'14
3 PLACE	$\pm$ 0.20	CHKD:	廖小瓊 03/07'14
2 PLACE	$\pm$ 0.30	DRAWN:	張凱 03/07'14
1 PLACE	$\pm$ 0.50		
ANGULAR:	X $\pm$ 1°		

TITLE:	
CUSTOMER DWG.	
DWG NO:	C
010-0000-568	
SCALE:	SHEET:
2 / 1	2 / 3
REV.:	B

B	ECN-130255	03/07'14	楊海文
REV.	DESCRIPTION	DATE	APPD



RECOMMENDED BEZEL CUT-OUT AND BOARD POSITION DIMENSIONS FOR SINGLE SIDE MOUNTING

UNITS <input checked="" type="checkbox"/> mm <input type="checkbox"/> INCH		NAME: SFP+ 1X4 CAGE, SOLDER WITH EMI GASKET		NEXTRONICS ENGINEERING CORP. TITLE: CUSTOMER DWG.	
GENERAL TOLERANCES: (UNLESS SPECIFIED)		PART NO: Z-828140000Z001			
		mm	INCH	APPD: 楊海文 03/07'14	C
4 PLACE	± **	± **	± **	CHKD: 廖小瓊 03/07'14	
3 PLACE	± 0.10	± **	± **	DRAWN: 張凱 03/07'14	SCALE: 2 / 1 SHEET: 3 / 3 REV.: B
2 PLACE	± 0.20	± **	± **		
1 PLACE	± 0.30	± **	± **		
ANGULAR:	X° ± 1°	X° ± **	X° ± **		

B	ECN-130255	03/07'14	楊海文
REV.	DESCRIPTION	DATE	APPD