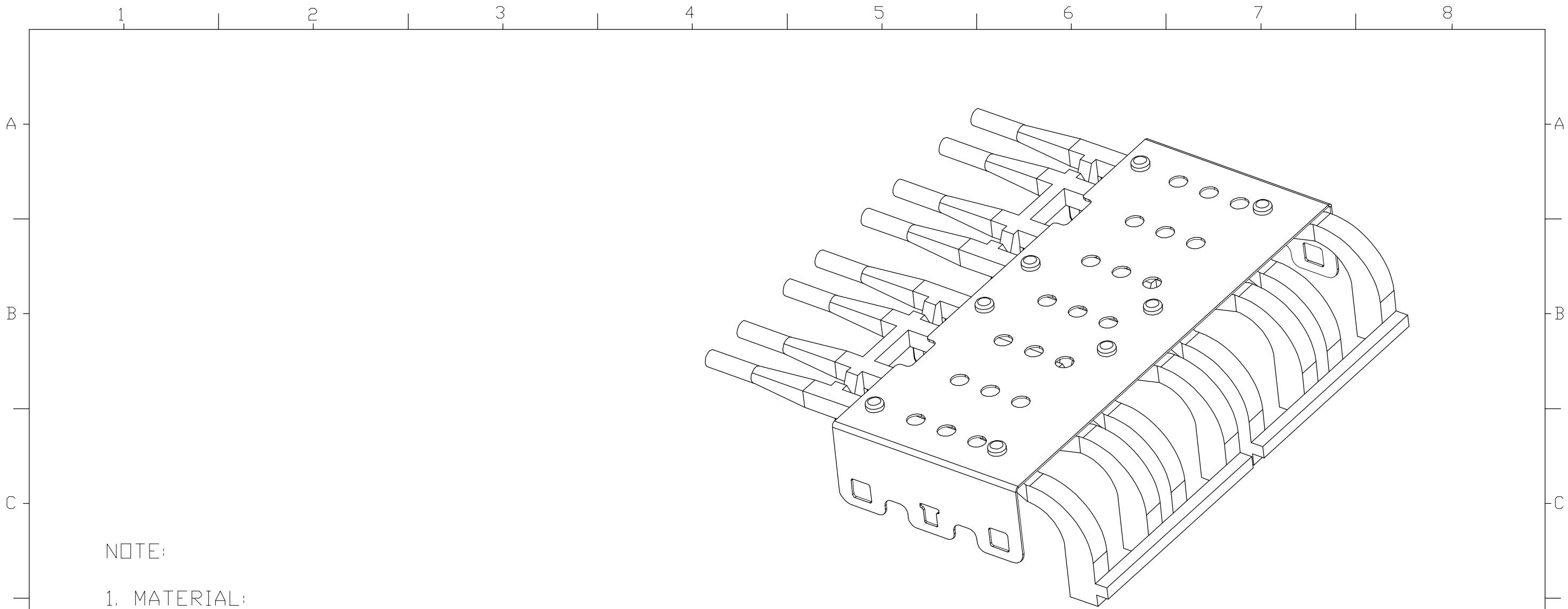


UNITS <input checked="" type="checkbox"/> mm <input type="checkbox"/> INCH				NAME: SFP 1X4 LIGHT PIPE ASSY		NEXTRONICS ENGINEERING CORP.	
GENERAL TOLERANCES: (UNLESS SPECIFIED)				PART NO: Z-8290111000000		TITLE: CUSTOMER DWG.	
		mm	INCH	APPD: 楊海文 03/09'13		DWG NO: 010-0000-A84	
4 PLACE	± **		± **.**	CHKD: 廖小瓊 03/09'13		C	
3 PLACE	± 0.10		± **.**	DRAWN: 張凱 03/09'13		SCALE: SHEET: REV.:	
2 PLACE	± 0.20		± **.**			2 / 1	1 / 2
1 PLACE	± 0.25		± **.**				A
ANGULAR:	X° ± 0.5°		.X° ± **.**				

A	ECN-210167	03/09'13	楊海文
REV.	DESCRIPTION	DATE	APPD



NOTE:

1. MATERIAL:
LIGHT PIPE: PC, CLEAR.
BRACKET: COPPER ALLOY.
2. IT IS RECOMMENDED THAT THE CAGE ASSEMBLY BE PRESSED INTO OR SOLDERED TO THE PCB PRIOR TO ASSEMBLING THE LIGHT PIPE ASSEMBLY.
3. THIS PART MEETS THE RESTRICTION OF HAZARDOUS SUBSTANCES IN ELECTRICAL AND ELECTRONIC EQUIPMENT (ROHS) DIRECTIVE (2002/95/EC).

UNITS ■mm □INCH				NAME: SFP 1X4 LIGHT PIPE ASSY		nexttron NEXTRONICS ENGINEERING CORP.		
GENERAL TOLERANCES: (UNLESS SPECIFIED)				PART NO: Z-8290111000000		TITLE: CUSTOMER DWG.		
		mm	INCH	APPD: 楊海文 03/09'13		DWG NO: 010-0000-A84		C
4 PLACE	± **	± .**		CHKD: 廖小瓊 03/09'13		SCALE: SHEET: REV.:		
3 PLACE	± 0.10	± .**		DRAWN: 張凱 03/09'13		2 / 1	2 / 2	A
2 PLACE	± 0.20	± .**						
1 PLACE	± 0.25	± .**						
ANGULAR:	X° ± 0.5°	.X° ± **						
REV.	DESCRIPTION	DATE	APPD					
A	ECN-210167	03/09'13	楊海文					