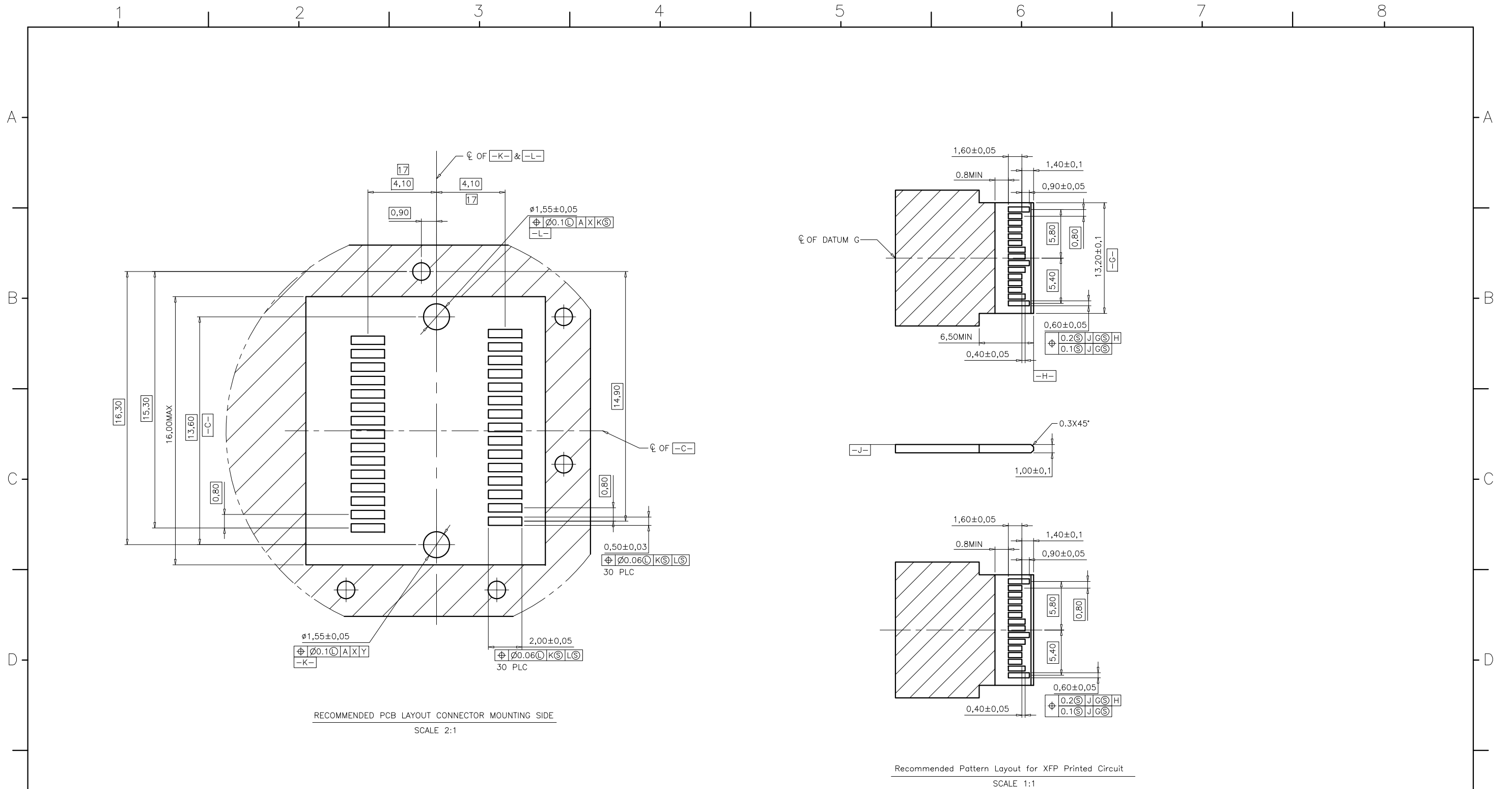


REV.	DESCRIPTION	DATE	APPD
X5	ECR-NC130059/62 X5=19	07/20'13	楊海文
X4	Add Slug Hole	05/15'13	楊海文
X3	Product color is Natural color; ECR-NC0006	12/27'12	楊海文

UNITS		
■	mm	□ INCH
GENERAL TOLERANCES: (UNLESS SPECIFIED)		
	mm	INCH
4 PLACE	±**	±.**
3 PLACE	±**	±.**
2 PLACE	±0.1	±.**
1 PLACE	±0.2	±.**
ANGULAR:	X°±1°	.X°±**

NAME:		nexttron®	
XFP CONNECTOR		NEXTRONICS ENGINEERING CORP.	
PART NO: Z-8310011X011X1		TITLE: CUSTOMER DWG.	
APPD: 楊海文 07/20'13	CHKD: 廖小瓊 07/20'13	DWG NO: 010-0000-986 C	
DRAWN: 曾定勇 07/20'13		SCALE: NA	SHEET: 1/2
		REV.: X5	



UNITS ■ mm □ INCH				NAME: XFP CONNECTOR		nexttron® NEXTRONICS ENGINEERING CORP.	
GENERAL TOLERANCES: (UNLESS SPECIFIED)				PART NO: Z-8310011X011X1		TITLE: CUSTOMER DWG.	
				APPD: 楊海文 07/20'13		DWG NO: 010-0000-986 C	
				CHKD: 廖小瓊 07/20'13		SCALE: SHEET: REV.:	
				DRAWN: 曾定勇 07/20'13		NA 2/2 X5	
REV.	DESCRIPTION	DATE	APPD	4 PLACE	±**	±.**	
X5	ECR-NC130059/62 Δ_{19}	07/20'13	楊海文	3 PLACE	±**	±.**	
X4	Add Slug Hole	05/15'13	楊海文	2 PLACE	±0.1	±.**	
X3	Product color is Natural color; ECR-NC0006	12/27'12	楊海文	1 PLACE	±0.2	±.**	
				ANGULAR:	X° ± 1°	.X° ± **	