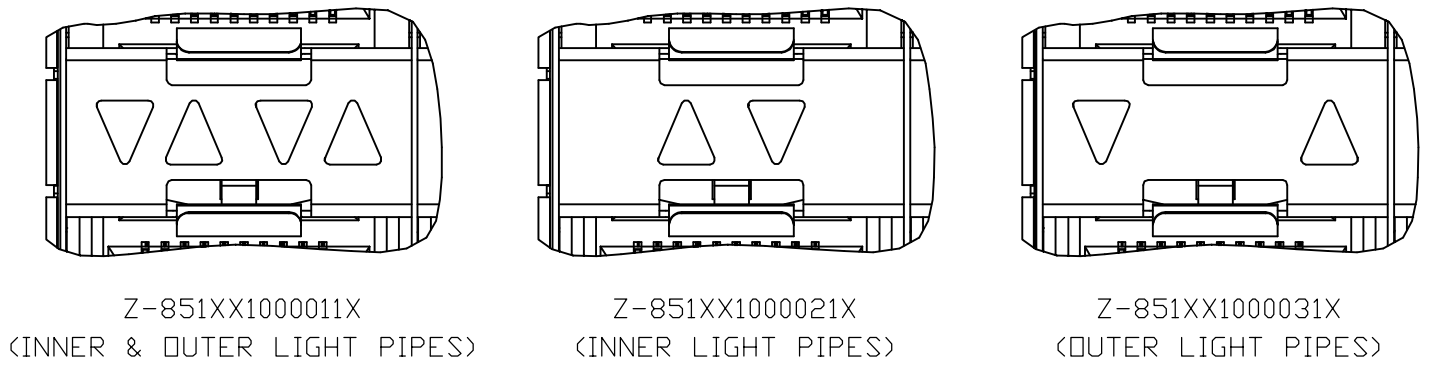


LIGHT PIPE CONFIGURATIONS



NOTE:

1. MATERIAL:  
 CAGE ASSEMBLY: COPPER ALLOY WITH NICKEL PLATED.  
 EMI SPRINGS: COPPER ALLOY WITH NICKEL PLATED.  
 HOUSING: HIGH TEMPERATURE THERMOPLASTIC, UL94V-0,  
 COLOR: BLACK.  
 INSERTMOLD: HIGH TEMPERATURE THERMOPLASTIC, UL94V-0,  
 COLOR: BLACK.  
 LIGHT PIPE: POLYCARBONATE, CLEAR.  
 CONTACT: COPPER ALLOY.
2. FINISH:  
 CONTACT: GOLD PLATED ON CONTACT AREA;  
 MATTE TIN PLATED ON TAIL AREA.
3. PC BOARD THICKNESS: 2.36mm.
4. THIS PART MEETS THE RESTRICTION OF HAZARDOUS SUBSTANCES IN ELECTRICAL AND ELECTRONIC EQUIPMENT (ROHS) DIRECTIVE (2011/65/EU).

NEXTRON PART NUMBER DESCRIPTION:

Z-851XX10000X1X

NUMBER OF PORTS

- 21=2X1
- 22=2X2
- 23=2X3
- 24=2X4
- 25=2X5
- 26=2X6
- 28=2X8

LOGO OPTION

- 0=WITH NEXTRON LOGO
- 1=WITHOUT LOGO

LIGHT PIPE OPTION

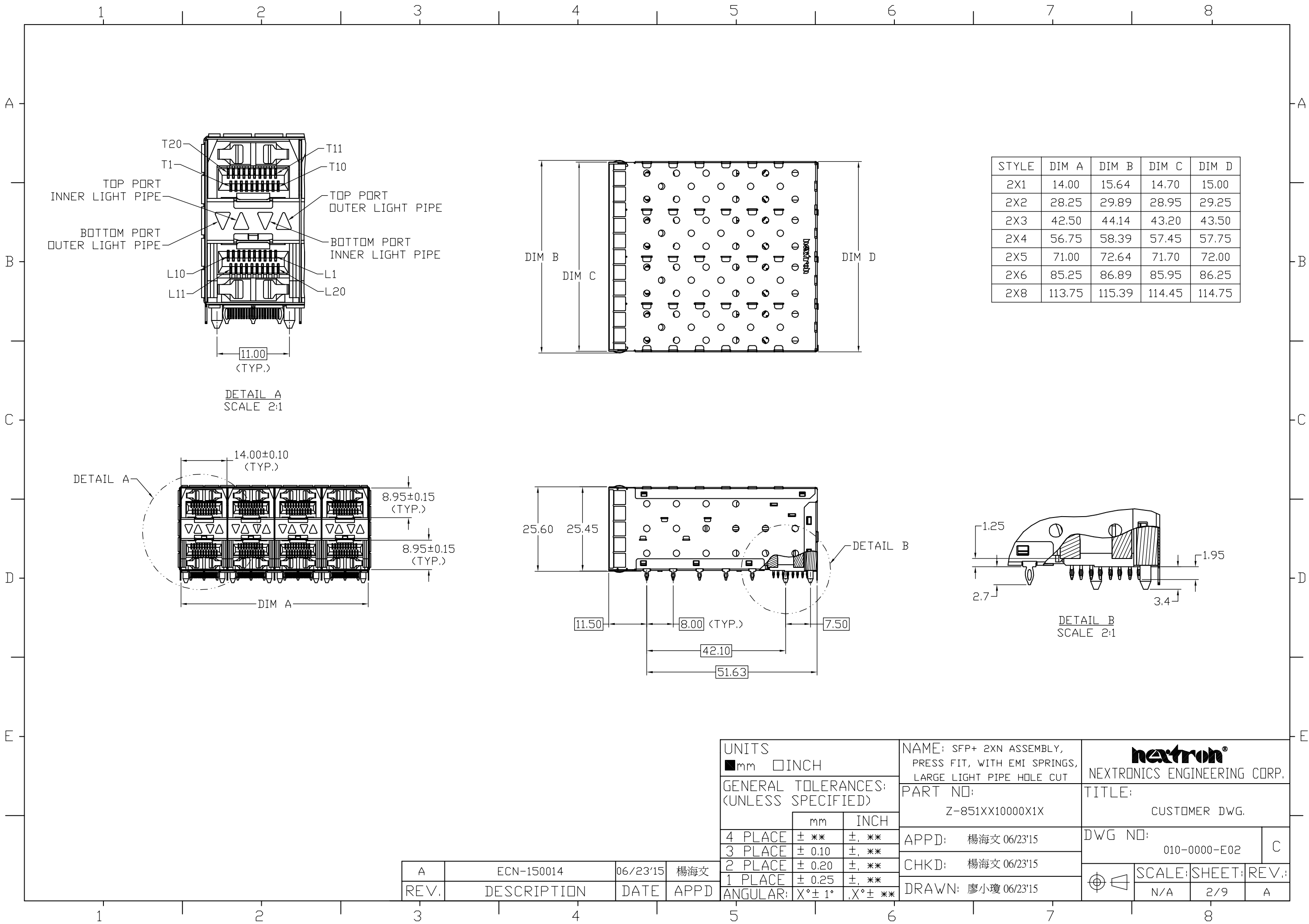
- 1=WITH INNER & OUTER LIGHT PIPES
- 2=WITH INNER LIGHT PIPES
- 3=WITH OUTER LIGHT PIPES

UNITS ■mm □INCH		
GENERAL TOLERANCES: (UNLESS SPECIFIED)		
	mm	INCH
4 PLACE	± **	±, **
3 PLACE	± 0.10	±, **
2 PLACE	± 0.20	±, **
1 PLACE	± 0.25	±, **
ANGULAR:	X° ± 1°	.X° ± **

NAME: SFP+ 2XN ASSEMBLY, PRESS FIT, WITH EMI SPRINGS, LARGE LIGHT PIPE HOLE CUT	
PART NO: Z-851XX10000X1X	
APPD: 楊海文 06/23'15	CHKD: 楊海文 06/23'15
DRAWN: 廖小瓊 06/23'15	

<b>nexttron</b> <sup>®</sup>		
NEXTRONICS ENGINEERING CORP.		
TITLE: CUSTOMER DWG.		
DWG NO: 010-0000-E02		C
SCALE: N/A	SHEET: 1/9	REV.: A

REV.	DESCRIPTION	DATE	APPD
	ECN-150014	06/23'15	楊海文



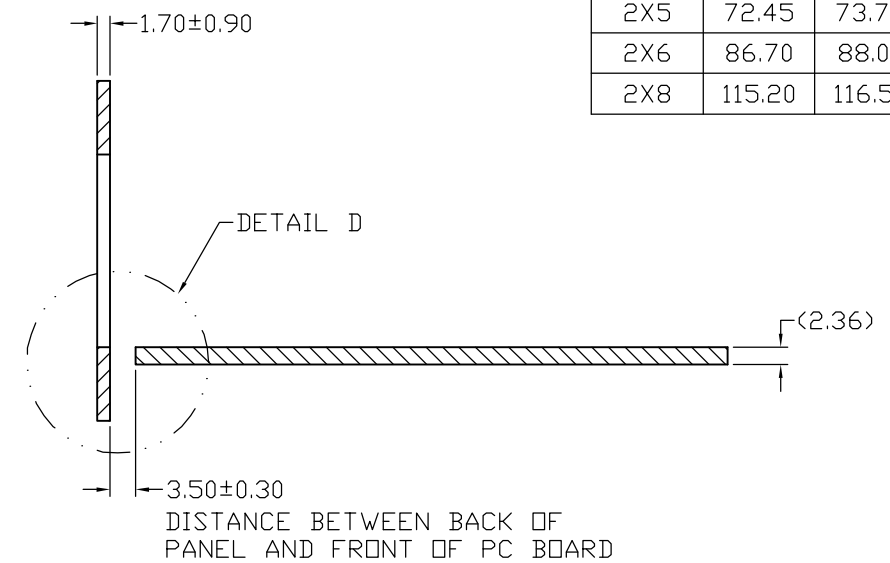
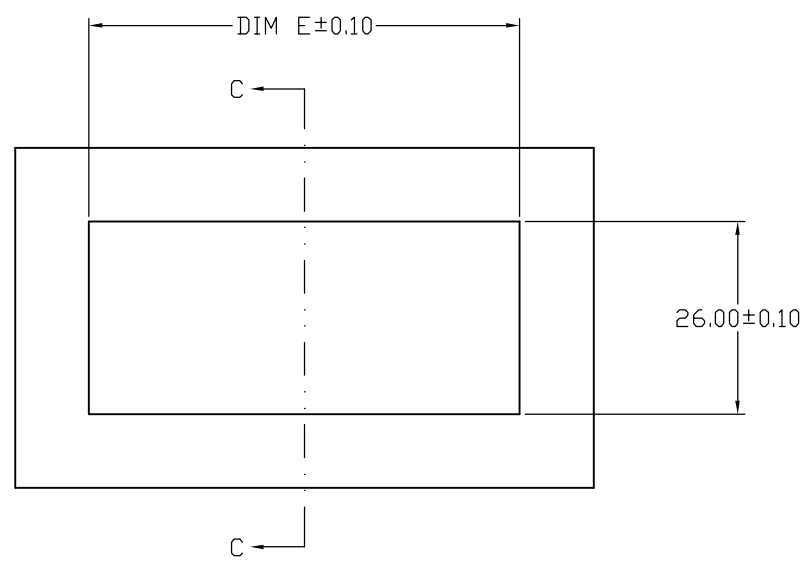
UNITS ■mm □INCH		NAME: SFP+ 2XN ASSEMBLY, PRESS FIT, WITH EMI SPRINGS, LARGE LIGHT PIPE HOLE CUT	
GENERAL TOLERANCES: (UNLESS SPECIFIED)		PART NO: Z-851XX10000X1X	
	mm	INCH	
4 PLACE	± **	±, **	
3 PLACE	± 0.10	±, **	
2 PLACE	± 0.20	±, **	
1 PLACE	± 0.25	±, **	
ANGULAR:	X° ± 1°	.X° ± **	

TITLE: CUSTOMER DWG.		DRAWN: 廖小瓊 06/23'15	
DWG NO: 010-0000-E02		CHKD: 楊海文 06/23'15	
SCALE: N/A		SHEET: 2/9	
REV.: A		APPD: 楊海文 06/23'15	

REV.	DESCRIPTION	DATE	APPD
A	ECN-150014	06/23'15	楊海文

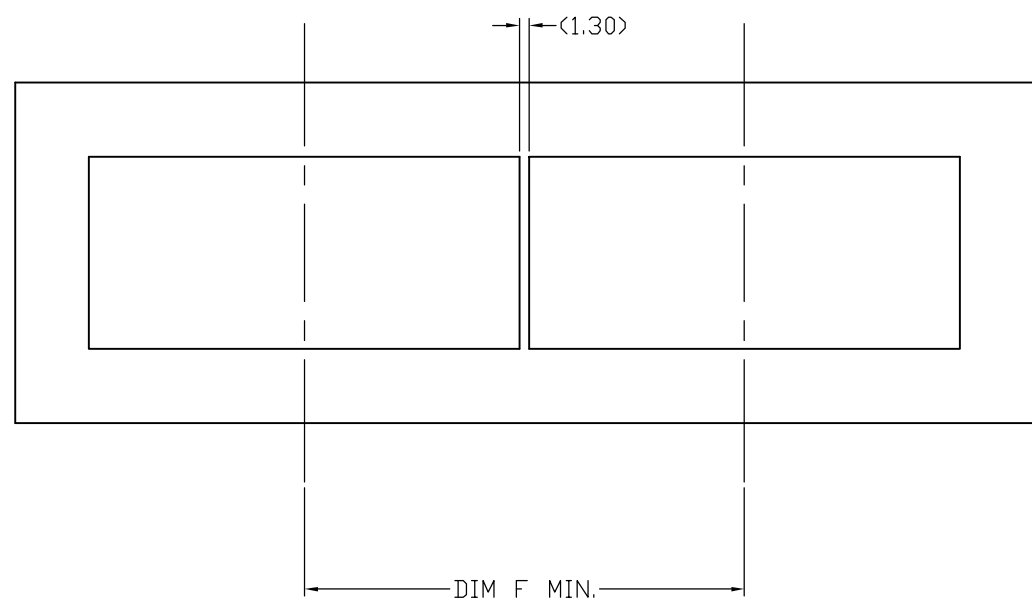
# RECOMMENDED PANEL CUTOUT AND PC BOARD, PANEL POSITION:

STYLE	DIM E	DIM F
2X1	15.45	16.75
2X2	29.70	31.00
2X3	43.95	45.25
2X4	58.20	59.50
2X5	72.45	73.75
2X6	86.70	88.00
2X8	115.20	116.50



DISTANCE BETWEEN BACK OF PANEL AND FRONT OF PC BOARD

SECTION C-C

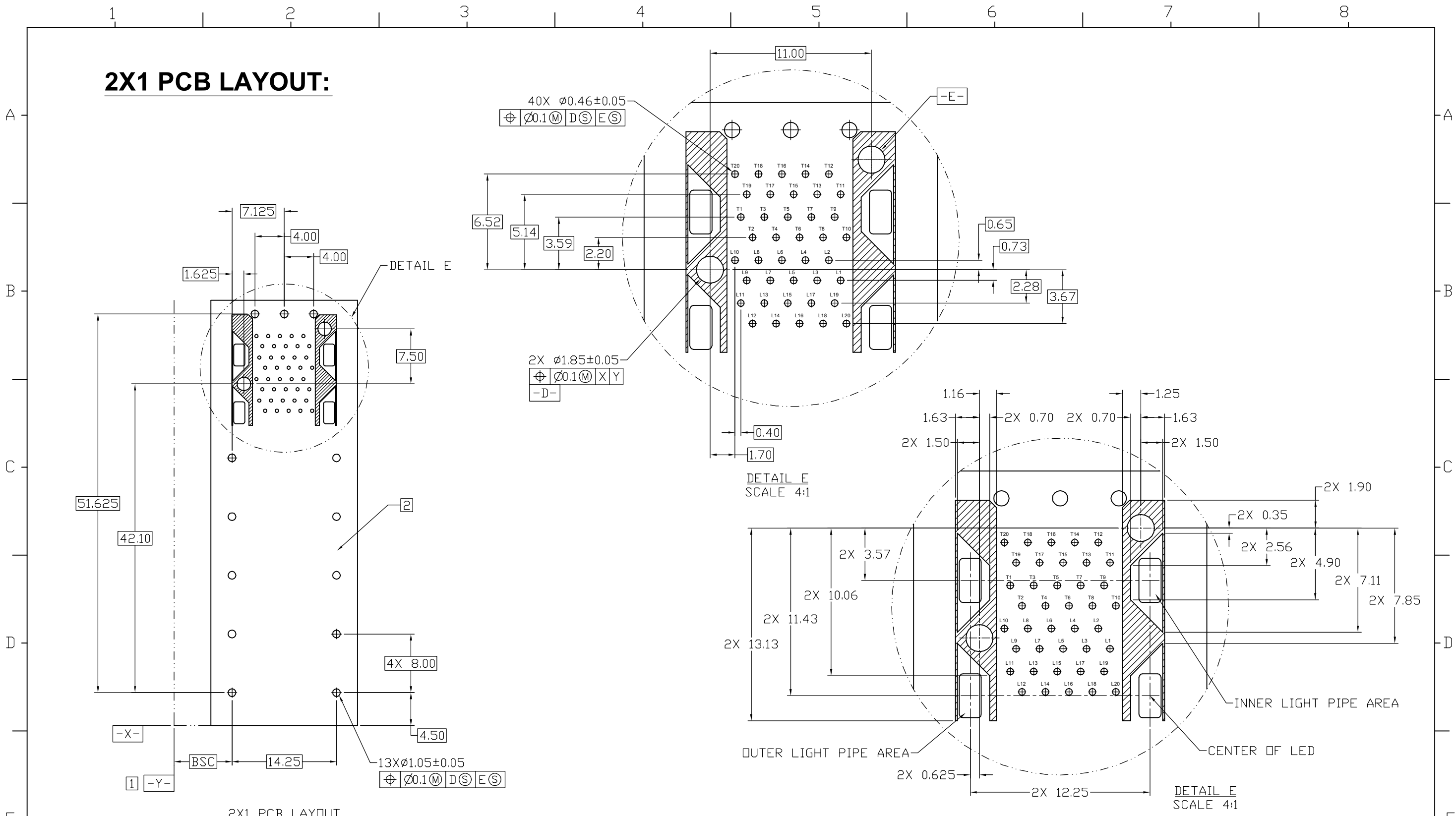


0 ± 0.10  
BOTTOM OF CUTOUT IN PANEL TO TOP OF PC BOARD

DETAIL D  
SCALE 2:1

UNITS ■ mm □ INCH		NAME: SFP+ 2XN ASSEMBLY, PRESS FIT, WITH EMI SPRINGS, LARGE LIGHT PIPE HOLE CUT		NEXTRONICS ENGINEERING CORP. TITLE: CUSTOMER DWG.	
GENERAL TOLERANCES: (UNLESS SPECIFIED)		PART NO: Z-851XX10000X1X			
	mm	INCH	APPD: 楊海文 06/23'15	DWG NO: 010-0000-E02	
4 PLACE	± **	±, **	CHKD: 楊海文 06/23'15	C	
3 PLACE	± 0.10	±, **	DRAWN: 廖小瓊 06/23'15	SCALE: SHEET: REV.:	
2 PLACE	± 0.20	±, **		N/A	3/9
1 PLACE	± 0.25	±, **			A
ANGULAR:	X° ± 1°	.X° ± **			

REV.	DESCRIPTION	DATE	APPD
A	ECN-150014	06/23'15	楊海文



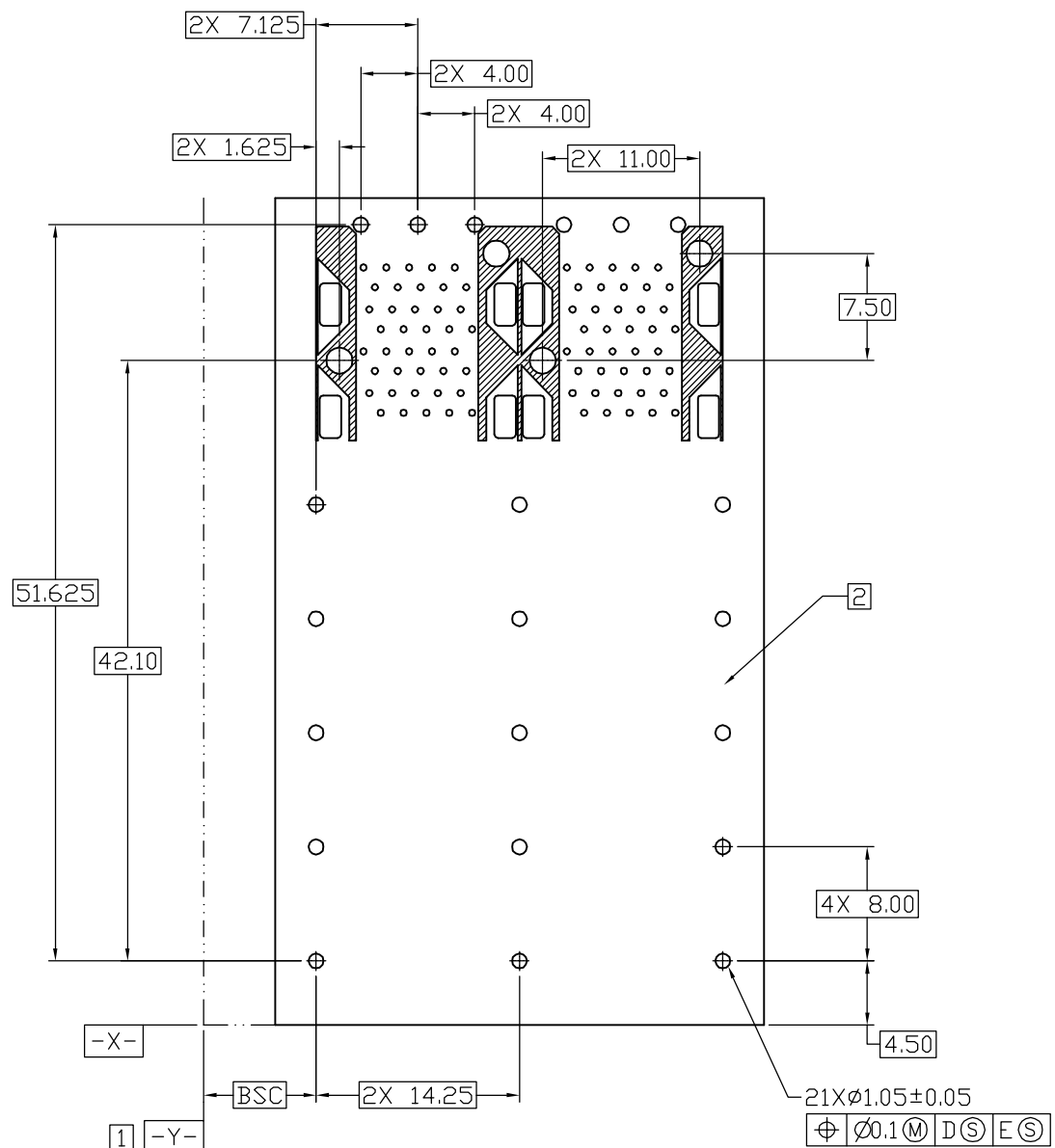
NOTES:

- ① DATUM AND BASIC DIMENSIONS ESTABLISHED BY CUSTOMER.
- ② THE ENTIRE AREA OF THE CONNECTOR FOOTPRINT, INDICATED BY THE DASHED LINE, TO BE CONSIDERED THE KEEPOUT AREA FOR COMPONENTS AND SIGNAL TRACES, TOP SIDE ONLY. TOP SIDE TRACES ALLOWED WITHIN CONNECTOR HOLE PATTERN.

UNITS <input checked="" type="checkbox"/> mm <input type="checkbox"/> INCH		NAME: SFP+ 2XN ASSEMBLY, PRESS FIT, WITH EMI SPRINGS, LARGE LIGHT PIPE HOLE CUT		NEXTRONICS ENGINEERING CORP. TITLE: CUSTOMER DWG.	
GENERAL TOLERANCES: (UNLESS SPECIFIED)		PART NO: Z-851XX10000X1X			
				APPD: 楊海文 06/23'15	
				CHKD: 楊海文 06/23'15	
				DRAWN: 廖小瓊 06/23'15	
				SCALE: SHEET: REV.:	
				N/A 4/9 A	

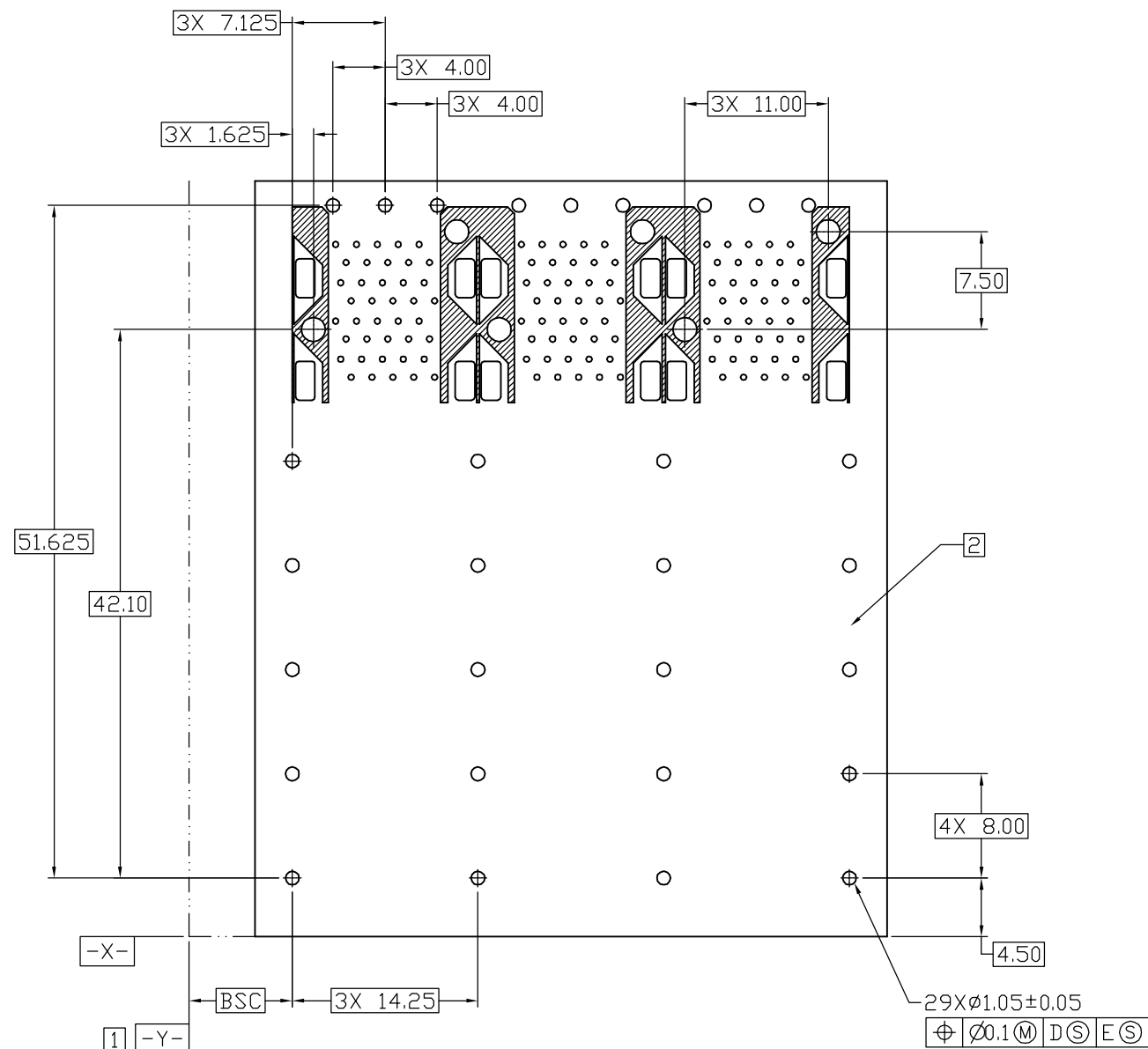
REV.	DESCRIPTION	DATE	APPD
A	ECN-150014	06/23'15	楊海文

### 2X2 PCB LAYOUT:



2X2 PCB LAYOUT  
SCALE 2:1

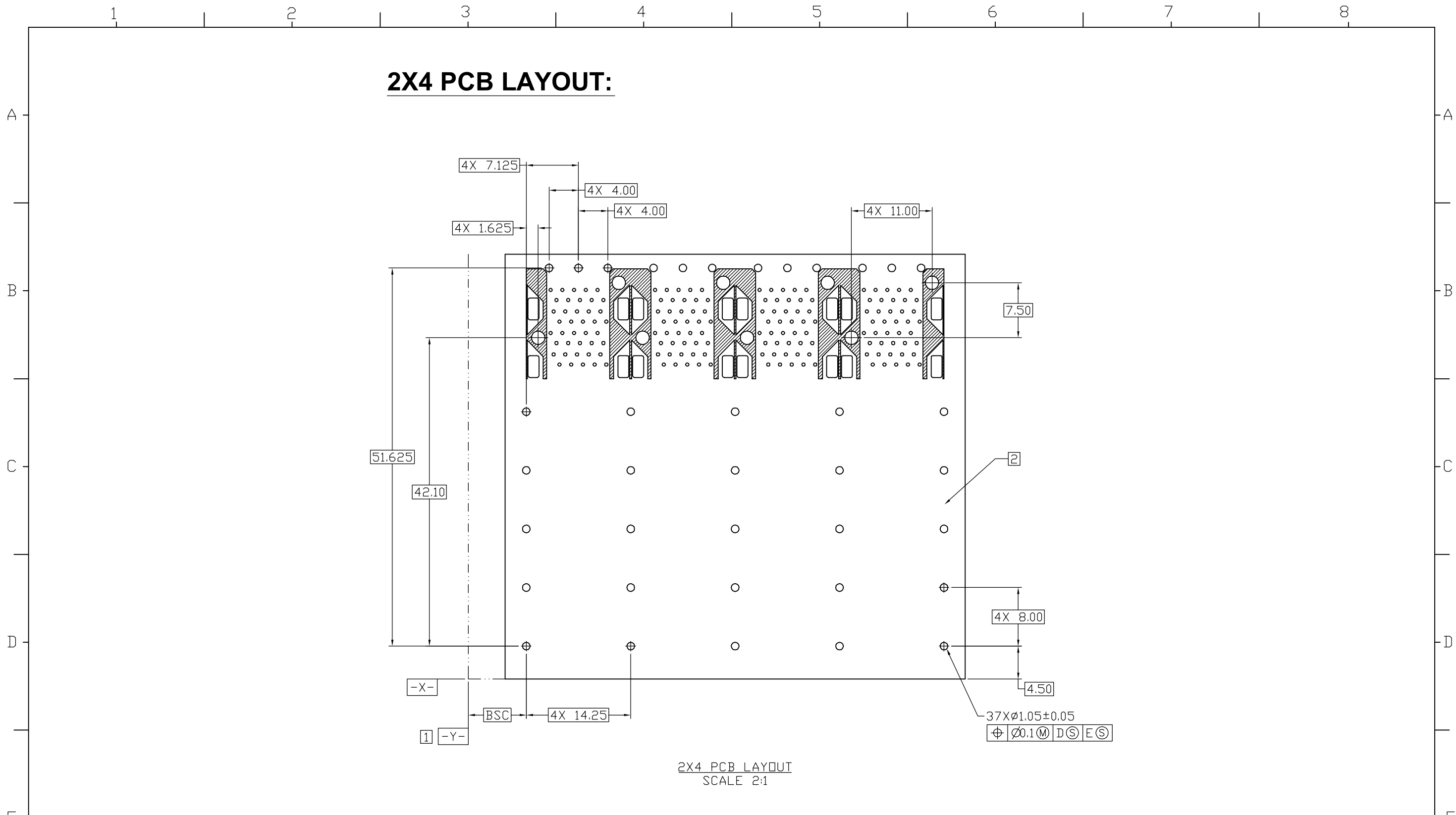
### 2X3 PCB LAYOUT:



2X3 PCB LAYOUT  
SCALE 2:1

UNITS ■mm □INCH		NAME: SFP+ 2XN ASSEMBLY, PRESS FIT, WITH EMI SPRINGS, LARGE LIGHT PIPE HOLE CUT		 NEXTRONICS ENGINEERING CORP. TITLE: CUSTOMER DWG.	
GENERAL TOLERANCES: (UNLESS SPECIFIED)		PART NO: Z-851XX10000X1X			
	mm	INCH	APPD: 楊海文 06/23'15	SCALE: SHEET: REV.:	
4 PLACE	± **	±, **	CHKD: 楊海文 06/23'15	N/A	5/9
3 PLACE	± 0.10	±, **	DRAWN: 廖小瓊 06/23'15		
2 PLACE	± 0.20	±, **			
1 PLACE	± 0.25	±, **			
ANGULAR:	X° ± 1°	.X° ± **			

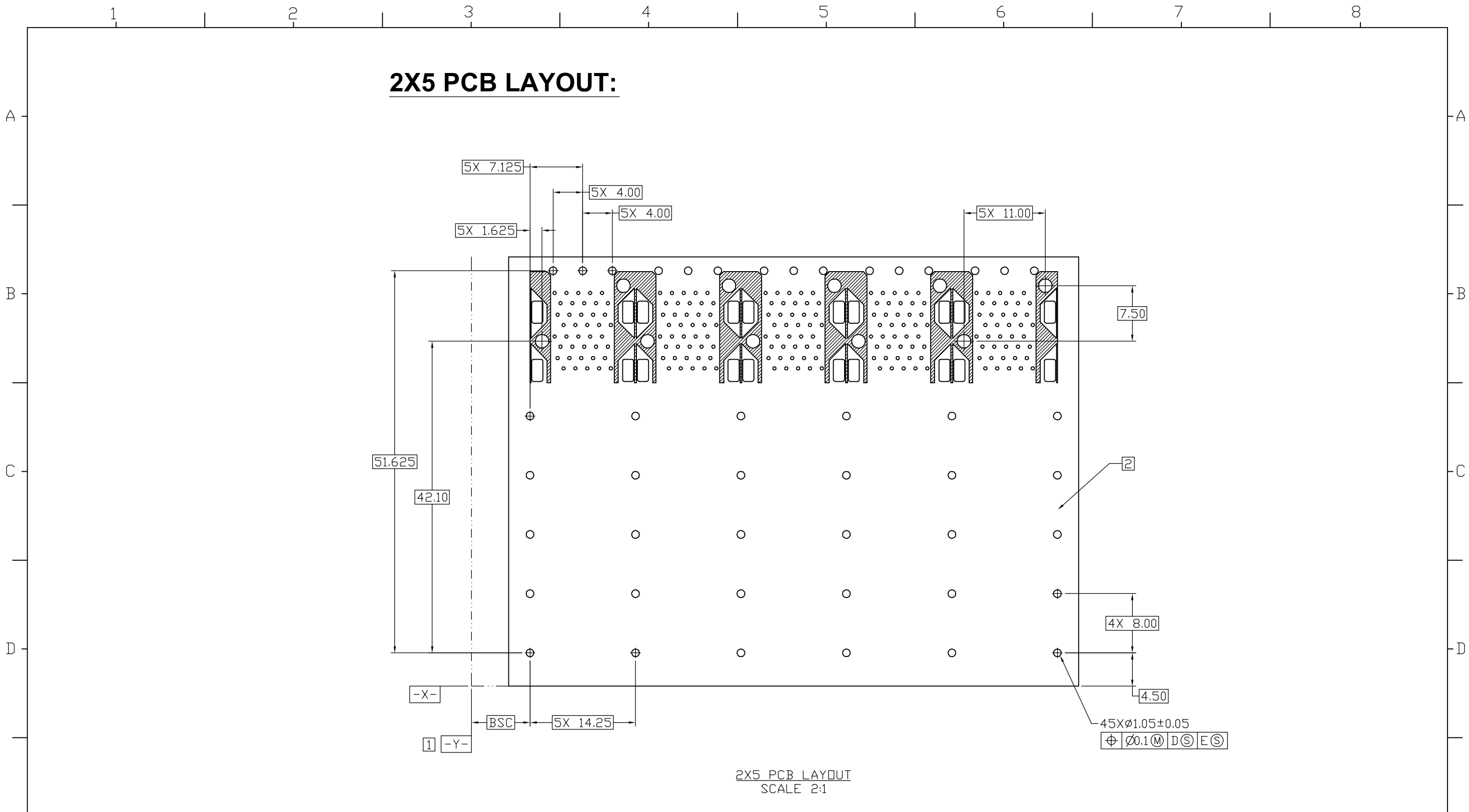
A	ECN-150014	06/23'15	楊海文
REV.	DESCRIPTION	DATE	APPD



2X4 PCB LAYOUT  
SCALE 2:1

UNITS ■mm □INCH		NAME: SFP+ 2XN ASSEMBLY, PRESS FIT, WITH EMI SPRINGS, LARGE LIGHT PIPE HOLE CUT		NEXTRONICS ENGINEERING CORP. TITLE: CUSTOMER DWG.	
GENERAL TOLERANCES: (UNLESS SPECIFIED)		PART NO: Z-851XX10000X1X			
	mm	INCH	APPD: 楊海文 06/23'15	DWG NO: 010-0000-E02	
4 PLACE	± **	± **	CHKD: 楊海文 06/23'15	C	
3 PLACE	± 0.10	± **	DRAWN: 廖小瓊 06/23'15	SCALE: SHEET: REV.:	
2 PLACE	± 0.20	± **		N/A	6/9
1 PLACE	± 0.25	± **			A
ANGULAR:	X°± 1°	.X°± **			

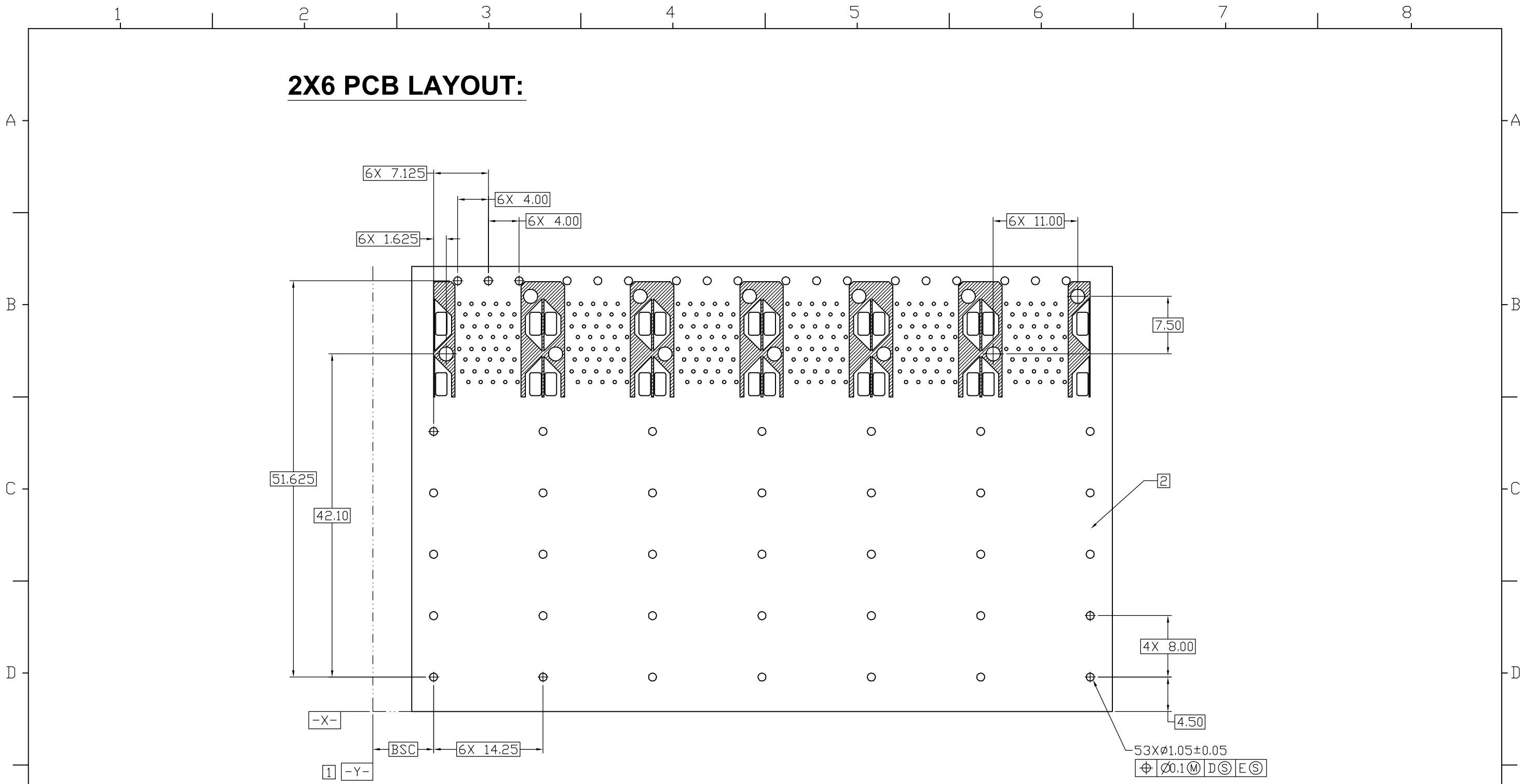
A	ECN-150014	06/23'15	楊海文
REV.	DESCRIPTION	DATE	APPD



2X5 PCB LAYOUT  
SCALE 2:1

UNITS ■mm □INCH		NAME: SFP+ 2XN ASSEMBLY, PRESS FIT, WITH EMI SPRINGS, LARGE LIGHT PIPE HOLE CUT		NEXTRONICS ENGINEERING CORP. TITLE: CUSTOMER DWG.	
GENERAL TOLERANCES: (UNLESS SPECIFIED)		PART NO: Z-851XX10000X1X			
	mm	INCH	APPD: 楊海文 06/23'15	DWG NO: 010-0000-E02 C	
4 PLACE	± **	±, **	CHKD: 楊海文 06/23'15	SCALE: SHEET: REV.:	
3 PLACE	± 0.10	±, **	DRAWN: 廖小瓊 06/23'15	N/A	7/9
2 PLACE	± 0.20	±, **			
1 PLACE	± 0.25	±, **			
ANGULAR:	X° ± 1°	.X° ± **			

A	ECN-150014	06/23'15	楊海文
REV.	DESCRIPTION	DATE	APPD

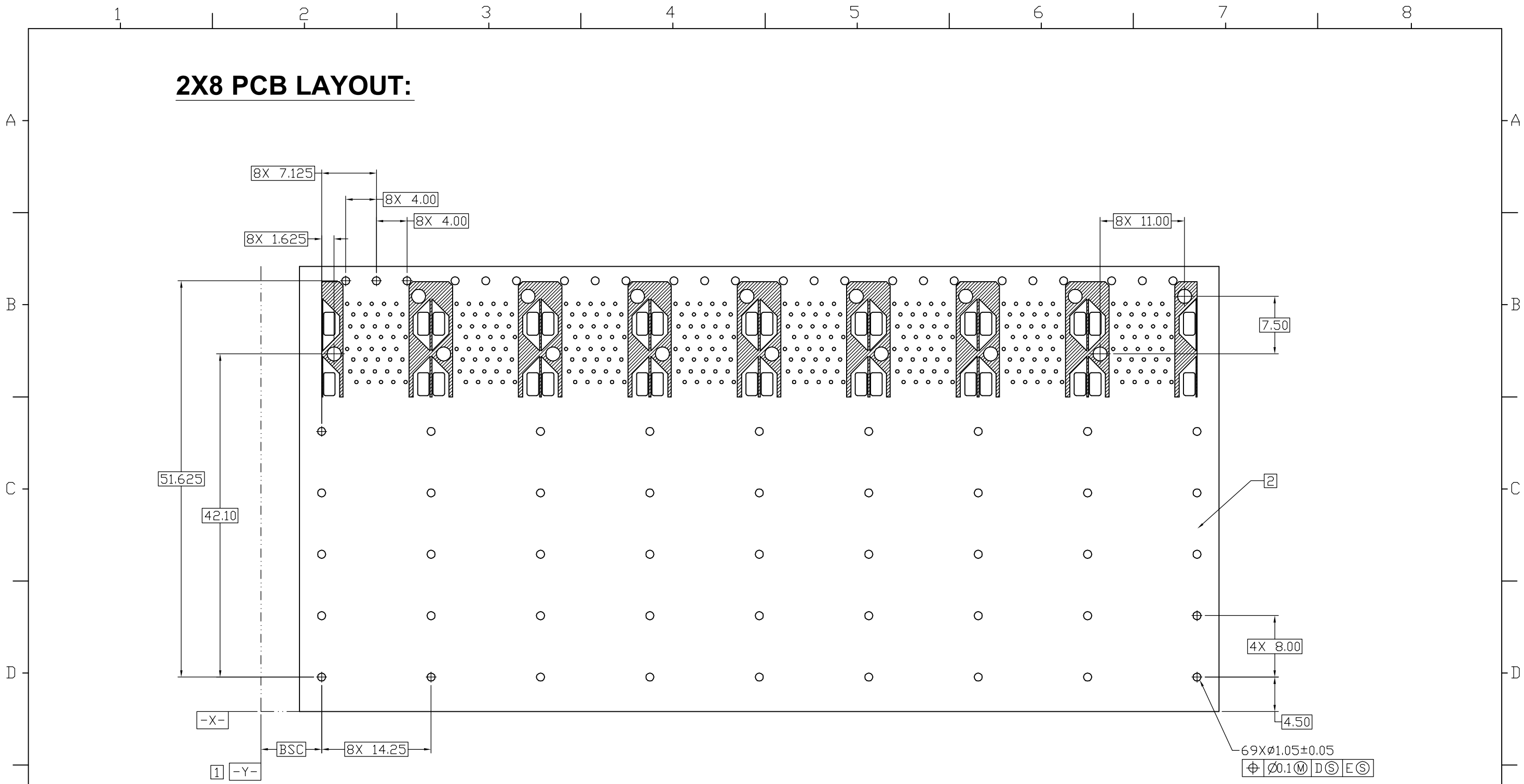


2X6 PCB LAYOUT  
SCALE 2:1

UNITS ■mm □INCH		NAME: SFP+ 2XN ASSEMBLY, PRESS FIT, WITH EMI SPRINGS, LARGE LIGHT PIPE HOLE CUT		NEXTRONICS ENGINEERING CORP. TITLE: CUSTOMER DWG.	
GENERAL TOLERANCES: (UNLESS SPECIFIED)		PART NO: Z-851XX10000X1X			
	mm	INCH	APPD: 楊海文 06/23'15	DWG NO: 010-0000-E02 C	
4 PLACE	± **	± **	CHKD: 楊海文 06/23'15	SCALE: SHEET: REV.:	
3 PLACE	± 0.10	± **	DRAWN: 廖小瓊 06/23'15	N/A	8/9
2 PLACE	± 0.20	± **			
1 PLACE	± 0.25	± **			
ANGULAR:	X°± 1°	.X°± **			

A	ECN-150014	06/23'15	楊海文
REV.	DESCRIPTION	DATE	APPD





2X8 PCB LAYOUT  
SCALE 2:1

UNITS ■mm □INCH		NAME: SFP+ 2XN ASSEMBLY, PRESS FIT, WITH EMI SPRINGS, LARGE LIGHT PIPE HOLE CUT		NEXTRONICS ENGINEERING CORP. TITLE: CUSTOMER DWG.	
GENERAL TOLERANCES: (UNLESS SPECIFIED)		PART NO: Z-851XX10000X1X			
	mm	INCH	APPD: 楊海文 06/23'15	SCALE: SHEET: REV.:	
4 PLACE	± **	±, **	CHKD: 楊海文 06/23'15	N/A	9/9
3 PLACE	± 0.10	±, **	DRAWN: 廖小瓊 06/23'15		A
2 PLACE	± 0.20	±, **			
1 PLACE	± 0.25	±, **			
ANGULAR:	X°± 1°	.X°± **			

A	ECN-150014	06/23'15	楊海文
REV.	DESCRIPTION	DATE	APPD