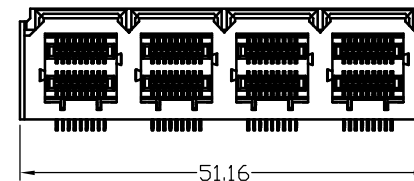
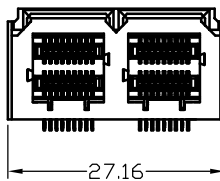
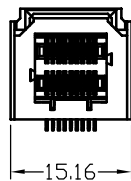


1 2 3 4 5 6 7 8

A

A

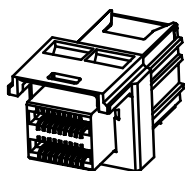


B

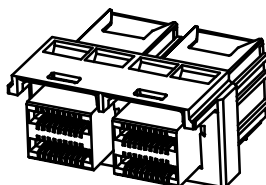
B

C

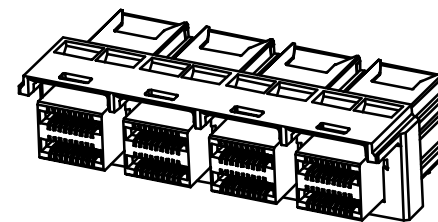
C



1X1



1X2



1X4

D

D

NOTES:

1.MATERIALS

HOUSING: HIGH TEMPERATURE THERMOPLASTIC, UL 94V-0, COLOR BLACK.
 TERMINAL: COPPER ALLOY

2.FINISHES

CONTACT AREA: GOLD FINISHED OVER NICKEL
 TAIL AREA: TIN FINISHED OVER NICKEL

3.ELECTRICAL CHARACTERISTICS:

CONTACT CURRENT RATING: 0.5A MAX PER CONTACT.
 VOLTAGE RATING: 30V DC MAX PER CONTACT.
 DIELECTRIC WITHSTANDING VOLTAGE: 300V DC FOR 1 MINUTE.

4.DURABILITY: 250 CYCLES.

5.CONNECTORS ARE ROHS COMPLIANT PER ROHS DIRECTIVE 2011/65/EU.

1X4	Z-H02R011160R0
1X2	Z-H02R0111080R0
1X1	Z-H02R0111040R0
PART DESCRIBE	PART NUMBER

UNITS <input checked="" type="checkbox"/> mm <input type="checkbox"/> INCH		NAME: MINI SAS HD RECEPTACLE R/A CONN.		NEXTRONICS ENGINEERING CORP.	
GENERAL TOLERANCES: (UNLESS SPECIFIED)		PART NO: Z-H02R011**0R0		TITLE: CUSTOMER.DWG	
	mm	INCH	APPD: Seawen 7/16'14		DWG NO: 010-0000-C17
4 PLACE	±**	±	CHKD: Peter 7/16'14		C
3 PLACE	±**	±	DRAWN: Linson 7/16'14		
2 PLACE	±0.13	±			
1 PLACE	±0.25	±			
ANGULAR:	X°±2'	X°±			
REV.	DESCRIPTION	DATE	APPD	SCALE:	SHEET:
X1	NEW RELEASE	7/16'14	Seawen	1/1	1/8
					REV.:
					X1

E

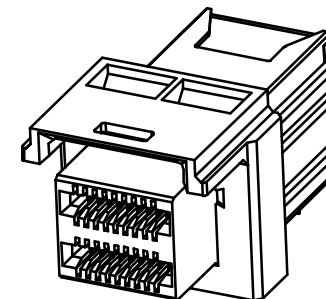
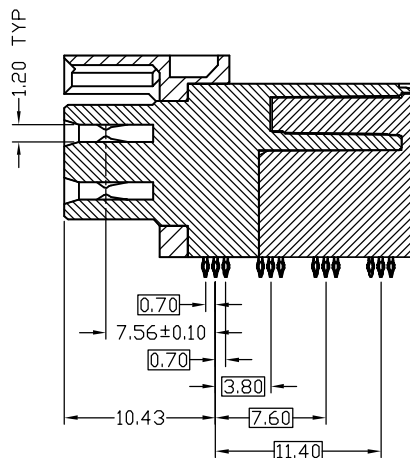
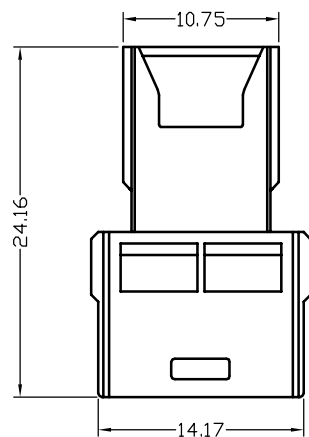
E

1 2 3 4 5 6 7 8

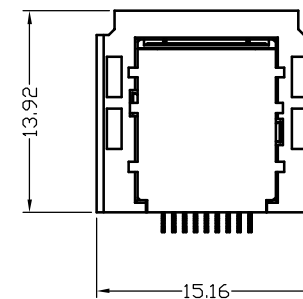
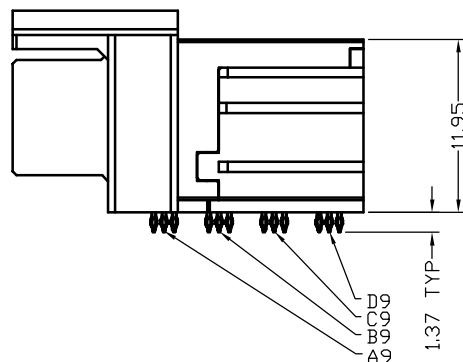
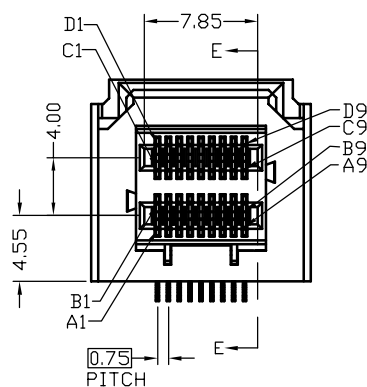
A1

D-PRD-034

1X1 ASSEMBLY



SECTION E-E

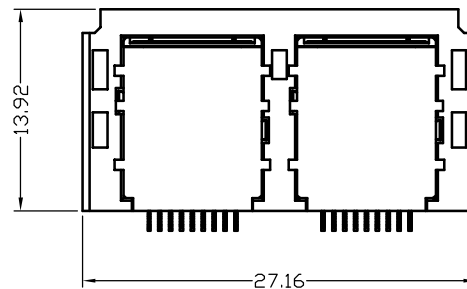
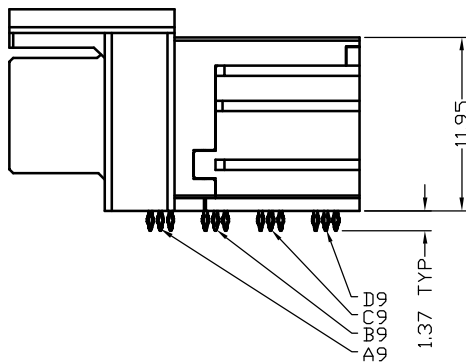
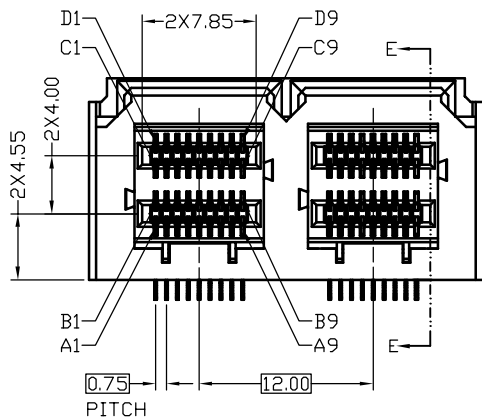
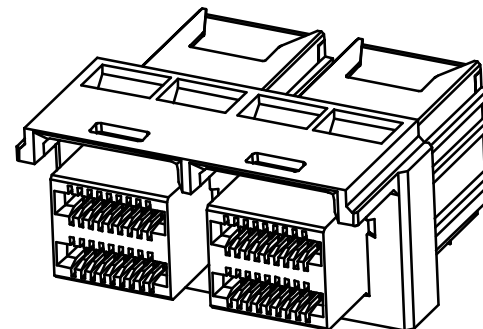
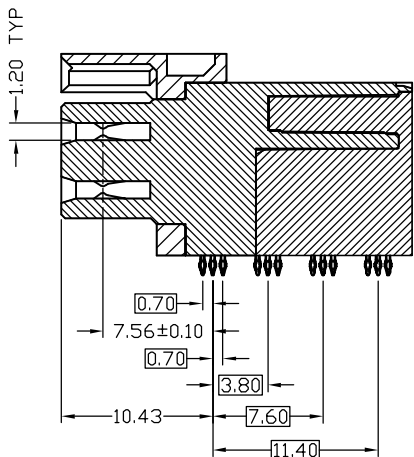
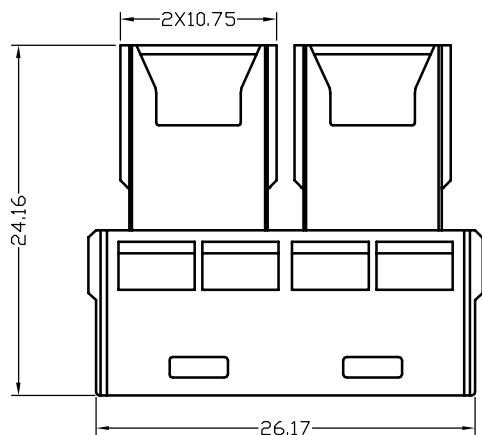


UNITS		NAME: MINI SAS HD RECEPTACLE R/A CONN.	
■ mm □ INCH		PART NO: Z-H02R0111**0R0	
GENERAL TOLERANCES: (UNLESS SPECIFIED)		APPD: Seawen 7/16'14	
	mm	INCH	CHKD: Peter 7/16'14
4 PLACE	± **.13 ±	± .005 ±	DRAWN: Linson 7/16'14
3 PLACE	± **.13 ±	± .005 ±	
2 PLACE	± 0.13 ±	± .005 ±	
1 PLACE	± 0.25 ±	± .005 ±	
ANGULAR:	X° ± 2°	X° ±	

TITLE: CUSTOMER.DWG	
DWG NO: 010-0000-C17	
SCALE: 1/1	SHEET: 2/8
REV: X1	

X1	NEW RELEASE	7/16'14	Seawen
REV.	DESCRIPTION	DATE	APPD

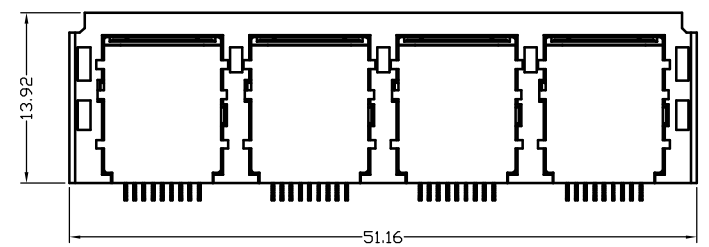
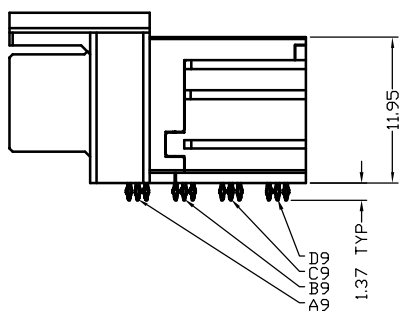
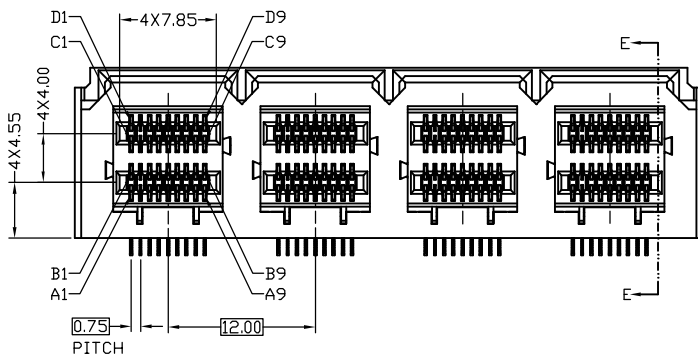
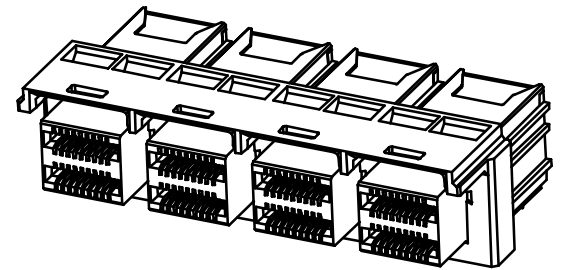
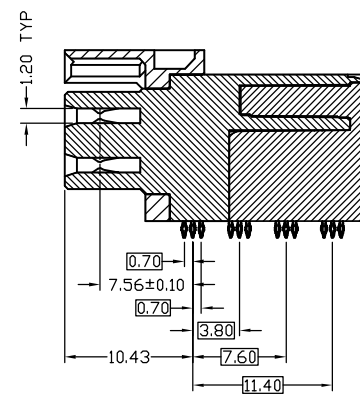
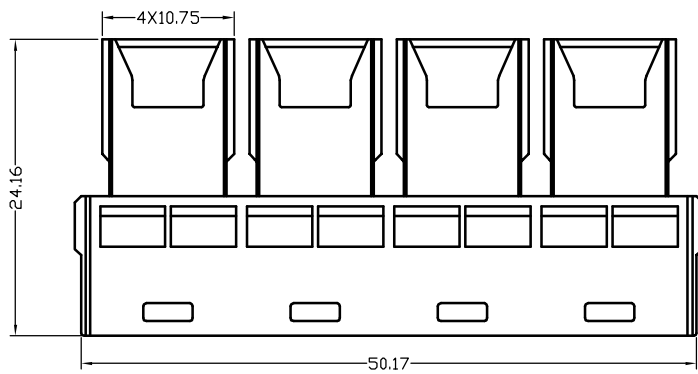
1X2 ASSEMBLY



UNITS <input checked="" type="checkbox"/> mm <input type="checkbox"/> INCH		NAME: MINI SAS HD RECEPTACLE R/A CONN.		NEXTRONICS ENGINEERING CORP.	
GENERAL TOLERANCES: (UNLESS SPECIFIED)		PART NO: Z-H02R0111**0R0		TITLE: CUSTOMER.DWG	
	mm	INCH	APPD: Seawen 7/16'14		DWG NO: 010-0000-C17
4 PLACE	± **	±	CHKD: Peter 7/16'14		C
3 PLACE	± **	±	DRAWN: Linson 07/16'14		
2 PLACE	± 0.13	±	SCALE: SHEET: REV.:		
1 PLACE	± 0.25	±	1/1 3/8 X1		
ANGULAR: X° ± 2° X° ±					

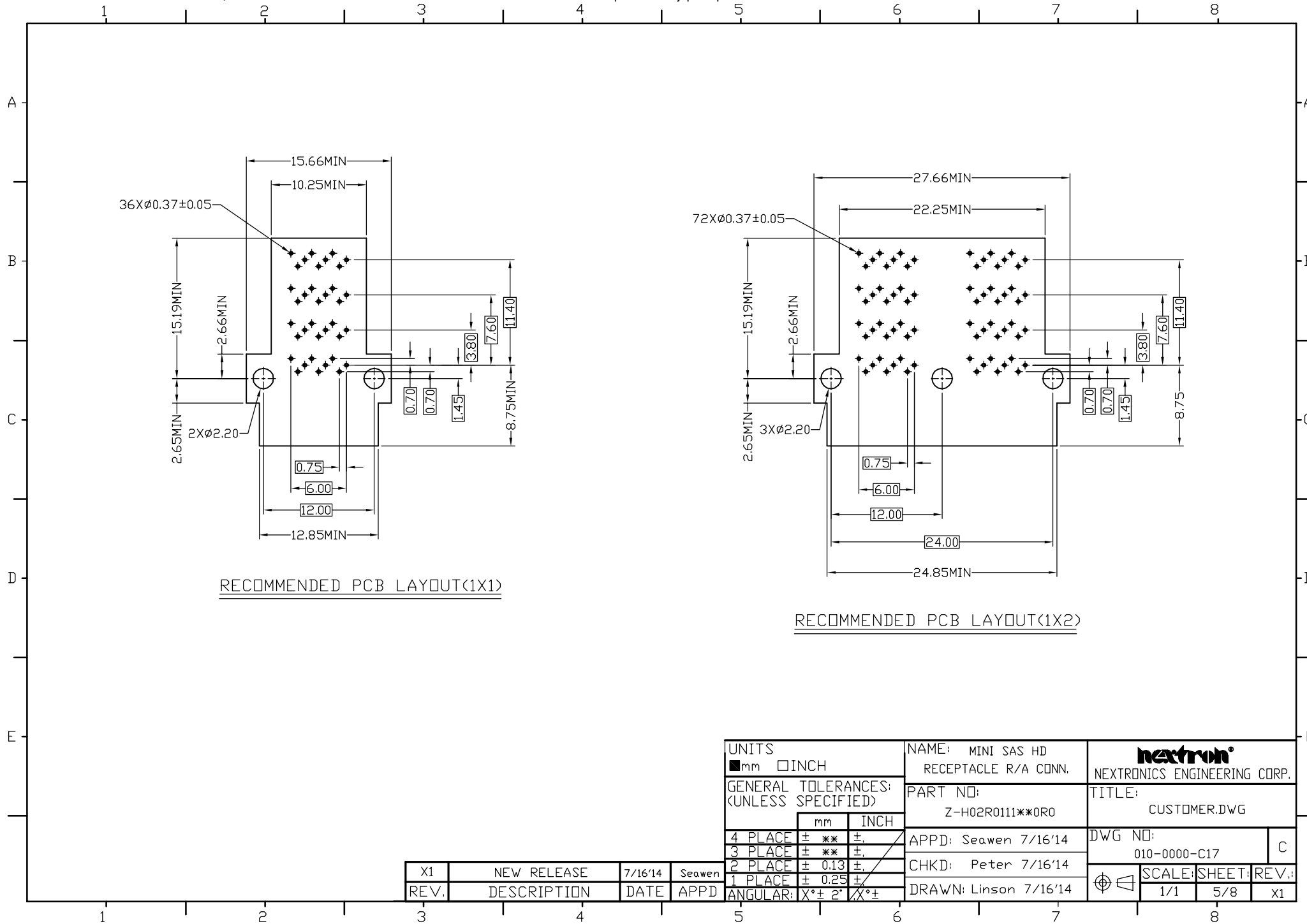
X1	NEW RELEASE	7/16'14	Seawen
REV.	DESCRIPTION	DATE	APPD

1X4 ASSEMBLY



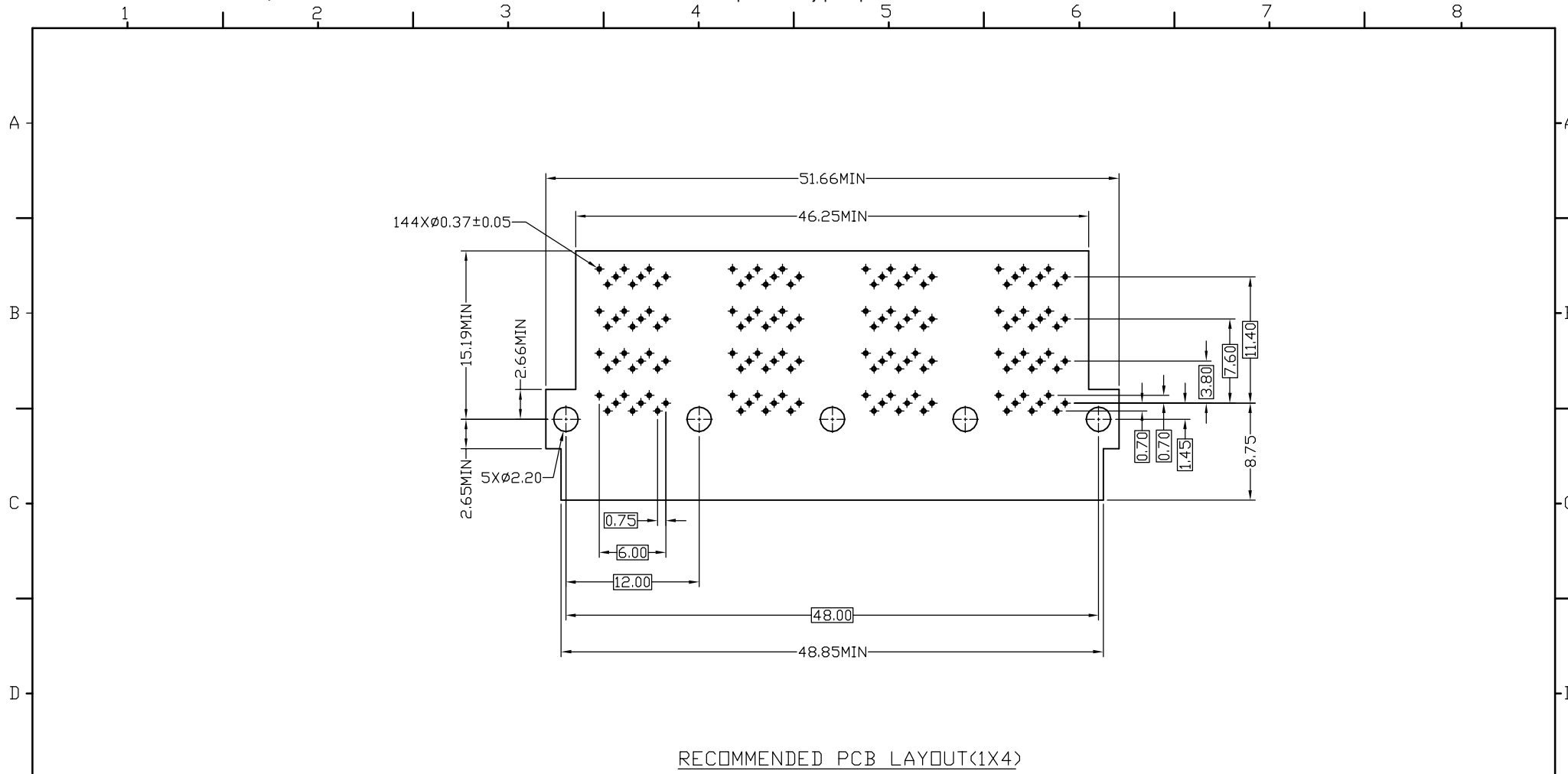
UNITS <input checked="" type="checkbox"/> mm <input type="checkbox"/> INCH		NAME: MINI SAS HD RECEPTACLE R/A CONN.		NEXTRONICS ENGINEERING CORP.	
GENERAL TOLERANCES: (UNLESS SPECIFIED)		PART NO: Z-H02R0111**0R0		TITLE: CUSTOMER DWG.	
		mm	INCH	APPD: Seawen 7/16'14	DWG NO: 010-0000-C17
4 PLACE	±**	±		CHKD: Peter 7/16'14	C
3 PLACE	±**	±		DRAWN: Linson 7/16'14	
2 PLACE	±0.13	±			
1 PLACE	±0.25	±			
ANGULAR:	X°±2'	X°±			

X1	NEW RELEASE	7/16'14	Seawen
REV.	DESCRIPTION	DATE	APPD



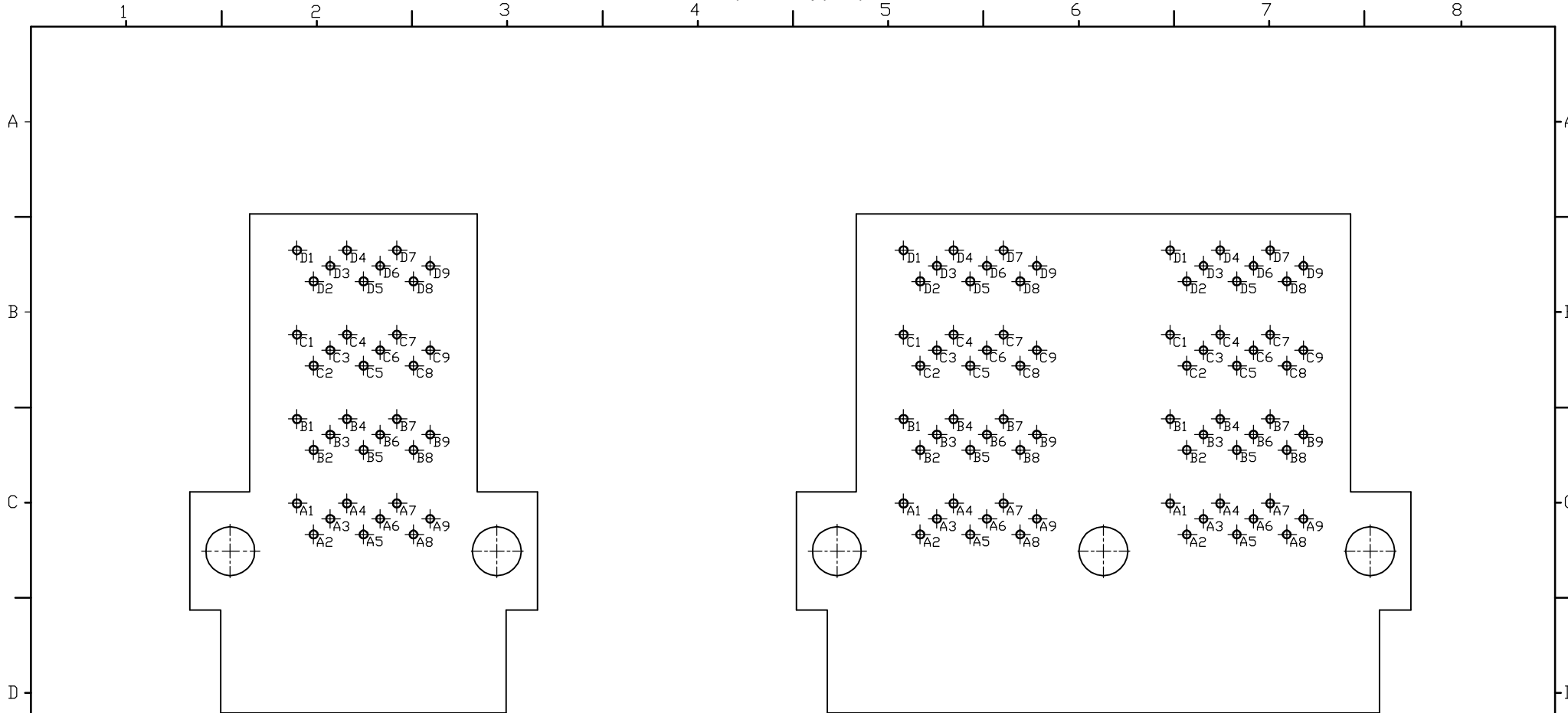
UNITS ■mm □INCH		NAME: MINI SAS HD RECEPTACLE R/A CONN.		 NEXTRONICS ENGINEERING CORP.	
GENERAL TOLERANCES: (UNLESS SPECIFIED)		PART NO: Z-H02R0111**0R0		TITLE: CUSTOMER.DWG	
		mm	INCH	APPD: Seawen 7/16'14	DWG NO: 010-0000-C17
4 PLACE	± ** ±			CHKD: Peter 7/16'14	C
3 PLACE	± ** ±			DRAWN: Linson 7/16'14	
2 PLACE	± 0.13 ±				
1 PLACE	± 0.25 ±				
ANGULAR:	X° ± 2°	X° ±			

X1	NEW RELEASE	7/16'14	Seawen
REV.	DESCRIPTION	DATE	APPD



RECOMMENDED PCB LAYOUT(1X4)

UNITS ■mm □INCH		NAME: MINI SAS HD RECEPTACLE R/A CONN.		NEXTRONICS ENGINEERING CORP.	
GENERAL TOLERANCES: (UNLESS SPECIFIED)		PART NO: Z-H02R0111**0R0		TITLE: CUSTOMER.DWG	
		mm	INCH	APPD: Seawen 7/16'14	DWG NO: 010-0000-C17
4 PLACE	± ** ±			CHKD: Peter 7/16'14	C
3 PLACE	± ** ±			DRAWN: Linson 7/16'14	
2 PLACE	± 0.13 ±				
1 PLACE	± 0.25 ±				
ANGULAR:	X° ± 2° X° ±				
X1	NEW RELEASE	7/16'14	Seawen	SCALE: 1/1	SHEET: 6/8
REV.	DESCRIPTION	DATE	APPD	REV.:	X1



FOOTPRINT CIRCUIT IDENTIFICATION<1X1>

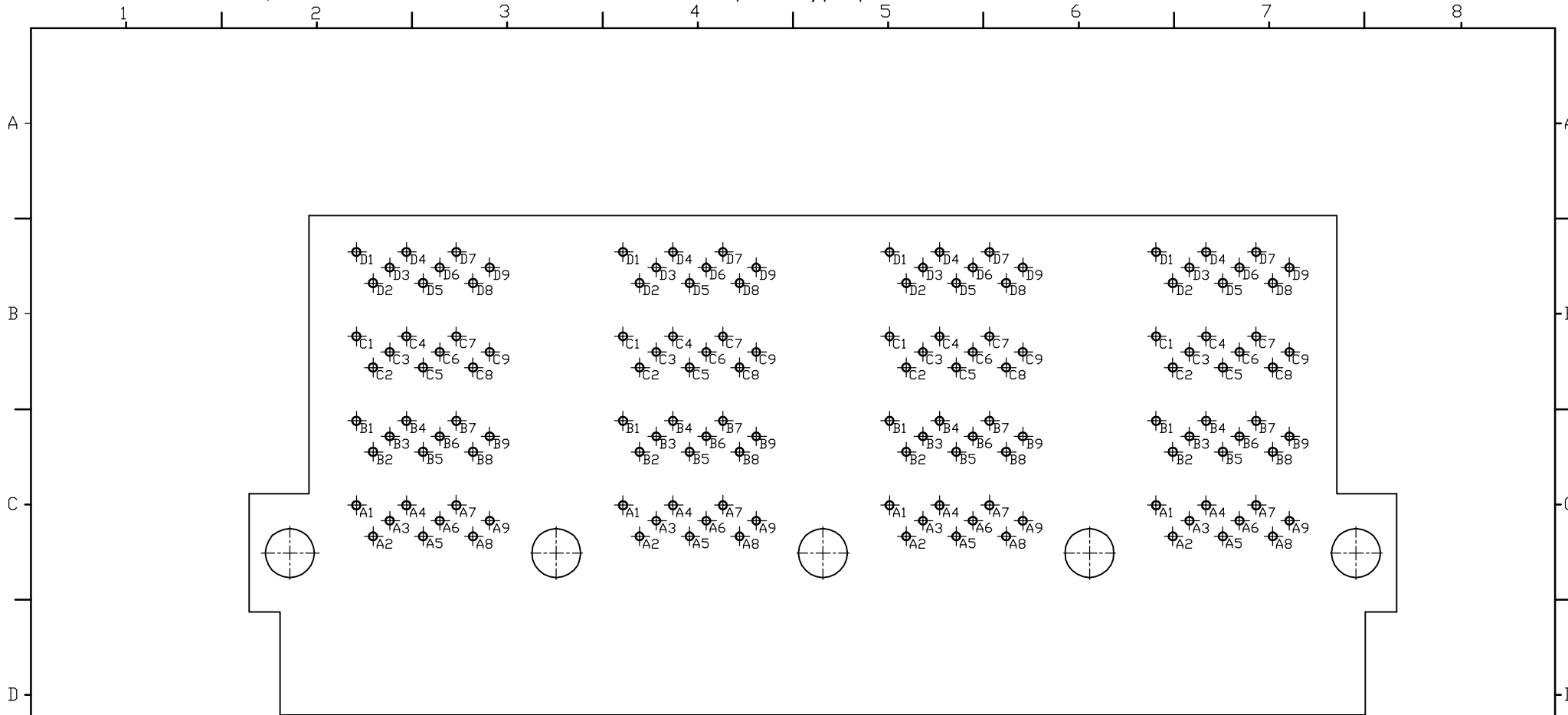
FOOTPRINT CIRCUIT IDENTIFICATION<1X2>

X1	NEW RELEASE	7/16'14	Seawen
REV.	DESCRIPTION	DATE	APPD

UNITS	
■mm	□INCH
GENERAL TOLERANCES: (UNLESS SPECIFIED)	
	mm INCH
4 PLACE	± **. ±.
3 PLACE	± **. ±.
2 PLACE	± 0.13 ±.
1 PLACE	± 0.25 ±.
ANGULAR:	X°± 2' X°±

NAME: MINI SAS HD RECEPTACLE R/A CONN.
PART NO: Z-H02R0111**0R0
APPD: Seawen 7/16'14
CHKD: Peter 7/16'14
DRAWN: Linson 7/16'14

nextron NEXTRONICS ENGINEERING CORP.	
TITLE: CUSTOMER.DWG	
DWG NO: 010-0000-C17	C
SCALE: 1/1	SHEET: 7/8
REV.:	X1



FOOTPRINT CIRCUIT IDENTIFICATION<1X4>

UNITS <input checked="" type="checkbox"/> mm <input type="checkbox"/> INCH		NAME: MINI SAS HD RECEPTACLE R/A CONN.		 NEXTRONICS ENGINEERING CORP.	
GENERAL TOLERANCES: (UNLESS SPECIFIED)		PART NO: Z-H02R0111**0R0			
		mm	INCH	APPD: Seawen 7/16'14	DWG NO: 010-0000-C17
		4 PLACE	± ** ±	CHKD: Peter 7/16'14	SCALE: SHEET: REV.: 1/1 8/8 X1
		3 PLACE	± ** ±	DRAWN: Linson 7/16'14	
		2 PLACE	± 0.13 ±		
		1 PLACE	± 0.25 ±		
		ANGULAR:	X° ± 2° / X° ±		

X1	NEW RELEASE	7/16'14	Seawen
REV.	DESCRIPTION	DATE	APPD