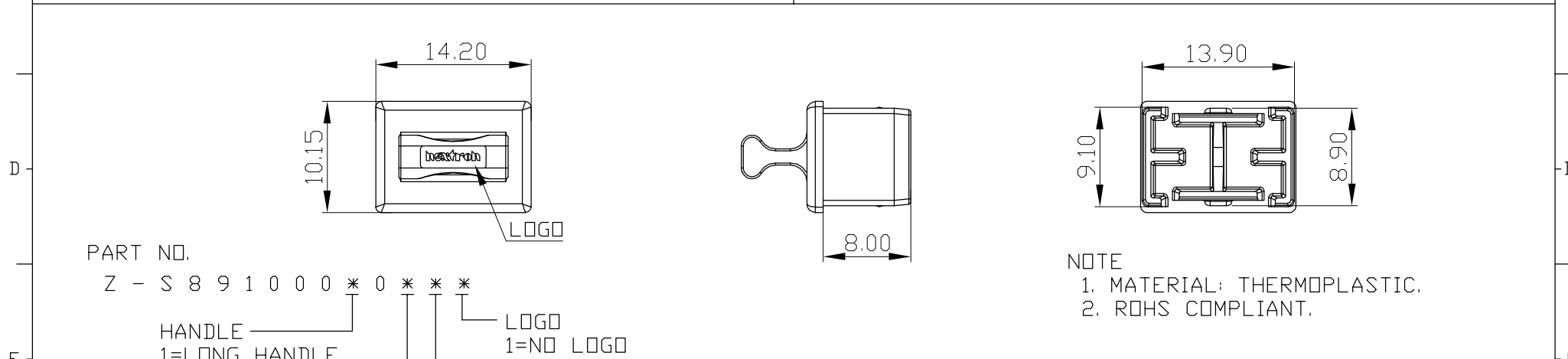


P/N: Z-S89100010***

P/N: Z-S89100020***



PART NO.

Z - S 8 9 1 0 0 0 * 0 * * *

HANDLE
1=LONG HANDLE
2=SHORT HANDLE

COLOR
B=BLACK

LOGO
1=NO LOGO
2=Nexttron LOGO
MATERIAL
2=NO CONDUCTION

NOTE

1. MATERIAL: THERMOPLASTIC.
2. ROHS COMPLIANT.

| | | | |
|------|------------------|---------|--------|
| A1 | ADD NEW PART NO. | 1/29'15 | Seawen |
| A | NEW RELEASED | 11/2'12 | Seawen |
| REV. | DESCRIPTION | DATE | APPD |

| | | |
|---|-----------|-------------|
| UNITS ■mm □INCH | | |
| GENERAL TOLERANCES: (UNLESS SPECIFIED) | | |
| | mm | INCH |
| 4 PLACE | ± **.05 | ± **.002 |
| 3 PLACE | ± **.10 | ± **.004 |
| 2 PLACE | ± 0.25 | ± **.010 |
| 1 PLACE | ± 0.40 | ± **.016 |
| ANGULAR: | X° ± **.5 | X° ± **.020 |

| |
|----------------------------|
| NAME: SFP DUST COVER |
| PART NO: Z-S891000*0*** |
| APPD: Seawen 1/29'15 |
| CHKD: Peter 1/29'15 |
| DRAWN: Jexan 1/29'15 |

| | | |
|----------------------------------|---------------|-------|
| NEXTRONICS ENGINEERING CORP. | | |
| TITLE: CUSTOMER DWG | | |
| DWG NO: 010-0000-A16 | | C |
| SCALE: 4/1 | SHEET: 1/2 | REV.: |
| | | A1 |