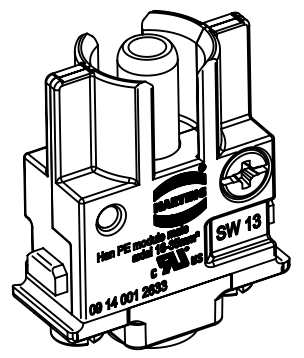


2x
2Nm±0,2

stripping length: 13mm
 tightening torque: 16mm² 25mm² 35mm²
 6Nm 7Nm 8Nm
 for stranded wire 16-35mm², AWG 4-2



	All Dimensions in mm Original Size DIN A4		Scale 2:1	Free size tol.		Ref.
						Sub.
	All rights reserved		Created by DICK	Inspected by SCHLEGEL	Standardisation TIEMANNA	Date 2016-05-11
	Department EL PD - DE					State Final Release
HARTING Electric GmbH & Co. KG D-32339 Espelkamp			Title Han PE-module male axial 16-35qmm			Doc-Key / ECM-Nr. 100608243/UGD/002/C 500000104304
			Type TB	Number 09 14 001 2633		Rev. C Page 1/1