

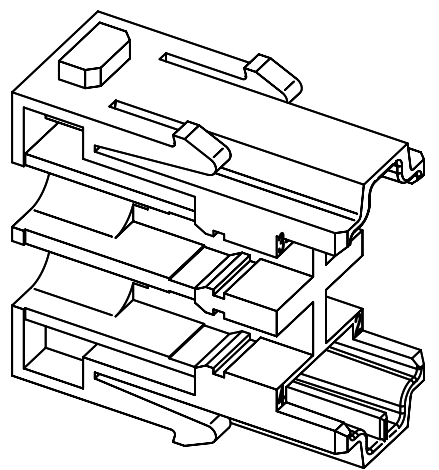
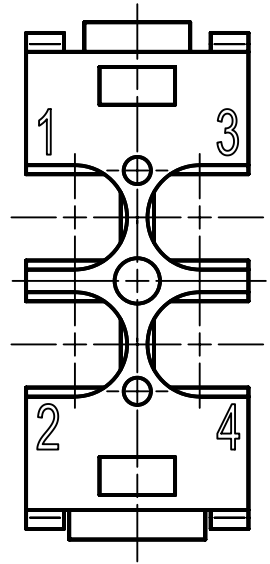
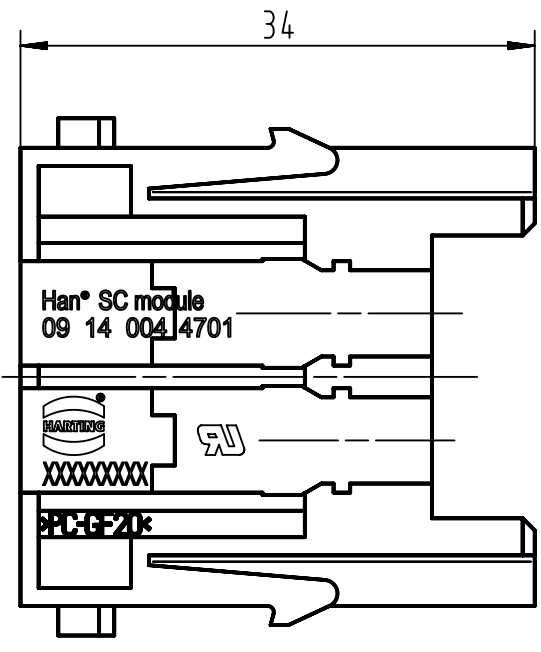
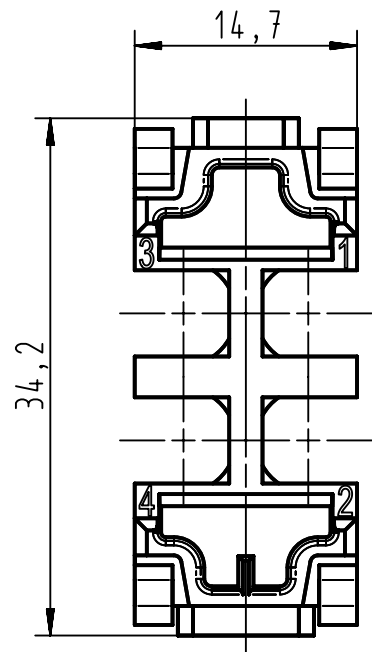
1 2 3 4 5 6


A

B

C

D



	All Dimensions in mm Original Size DIN A4		Scale 2:1		Free size tol.		Ref. Sub. TB 09 14 004 4701 v. 12.04.02			
	All rights reserved Department EL PD - DE		Created by HOLLERT		Inspected by BERGHORN		Standardisation SCHMIDTM			
HARTING Electric GmbH & Co. KG D-32339 Espelkamp		Title Han SC module, male					Date 2013-03-19		State Approved	
		Type TB					Number 09 14 004 4701		Doc-Key / ECM-Nr. 100533687/UGD/001/A 500000060095	
							Rev. A		Page 1/1	