

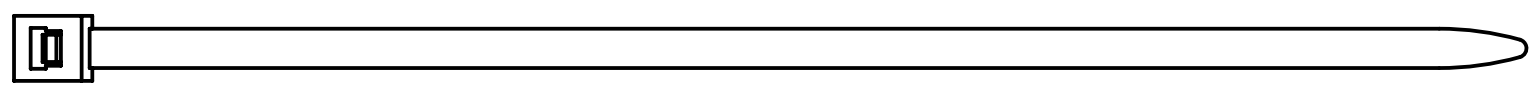
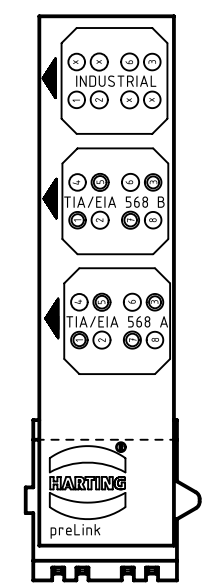
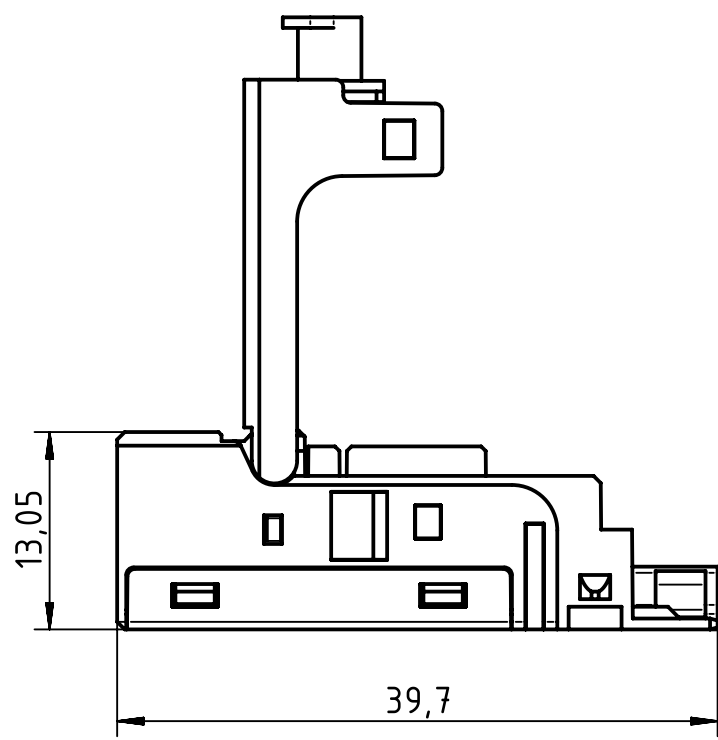
1 2 3 4 5 6

A

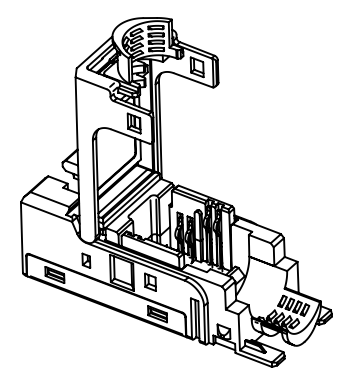
B

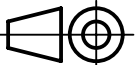

C

D



for wire gauge AWG 22-23



| | | | | | | |
|---|--|--------------------------|---------------------------|-----------------------------|--|------------------------|
|  All Dimensions in mm Original Size DIN A4 | Scale 2:1 | | Free size tol. | | Ref. | |
| | Created by MOELLERLI | | Inspected by FERDERERA | Standardisation TIEMANNA | Date 2014-04-01 | State Final Release |
|  All rights reserved Department EL PD - DE HARTING Electric GmbH & Co. KG D-32339 Espelkamp | Title Han-Mod RJ45 PreLink Set 8P AWG 22-23 | | | | Doc-Key / ECM-Nr. 100562719/UGD/001/B 500000073001 | |
| | Type TB | Number 09 14 008 4720 | | | Rev. B | Page 1/1 |